

THE CAPACITY TO CARRY OUT YOUR AMBITIONS

# 2013 GMC SAVANA

WE ARE PROFESSIONAL GRADE.

**GMC**



# 2013 GMC SAVANA

GMC. Our commitment is to pushing the limits of what's possible. Our dedication is to build professional-grade SUVs, trucks and vans. Our products are purposefully engineered to offer the best in performance, innovation and versatility. Like you, GMC believes that just being good enough is never enough and jobs worth doing are worth doing right. It's why the 2013 Savana is built to keep any operation organized and in control. The first full-size van to offer all-wheel drive, Savana offers the broadest V-8 engine lineup in its class, giving you all the tools you need to succeed.

GMC. Engineering that never says never.

## MODELS

---

SAVANA PASSENGER VAN pg. 2

SAVANA CARGO VAN pg. 4

SAVANA INTERIOR pg. 6

FEATURES & BENEFITS pg. 8

---

COLOR & TRIM pg. 15

EQUIPMENT OPTIONS pg. 16

---





SAVANA PASSENGER VAN IN DEEP BLUE METALLIC (left)  
SAVANA CARGO VAN IN SUMMIT WHITE (right)  
Vehicles shown with available equipment.





## SAVANA PASSENGER VAN THERE'S NO CARGO MORE PRECIOUS THAN YOUR PASSENGERS.

When it comes to passenger vans, one question drives GMC engineers: What does the professional demand? Which is why Savana Passenger Van is built with the capacity to go beyond mere utility. From the eight-passenger 1500 Series to the available extended wheelbase, 15-passenger 3500 Series, the range of Savana Passenger Vans turns people hauling into an art form.

### SAVANA SMARTS

---

For details, see corresponding page listed below.

Available 6-Speed Automatic Transmission [pg. 11](#)    Independent Front Suspension [pg. 12](#)

Available Duramax Diesel 6.6L V-8 [pg. 11](#)    Segment-Exclusive Available AWD [pg. 12](#)

Available Automatic Locking Rear Differential [pg. 12](#)    StabiliTrak with Proactive Roll Avoidance [pg. 12](#)

<sup>1</sup>Cargo and load capacity limited by weight and distribution.    <sup>2</sup>Based on 2012 GM Large Van segment.

### UP TO 15 PASSENGERS (upper)

---

With two wheelbases, including the available extended 155" wheelbase in the 3500 Series, Savana Passenger Van is purpose-built to transport up to 15 passengers and their gear in spacious comfort.<sup>1</sup>

### CLASS-LEADING STANDARD POWER (lower)

---

Load up your Savana to its maximum passenger capacity, and you won't have to worry about having enough power. It's got the most standard horsepower and torque in its class.<sup>2</sup>



SAVANA PASSENGER VAN IN QUICKSILVER METALLIC shown with available equipment.



---

#### PASSENGER-SIDE SLIDING DOOR (top left)

Open the available passenger-side sliding cargo door to access Savana's vast cargo area. A wide variety of optional equipment is available that's purpose-built for the tools and materials of practically every trade.

---

#### REAR CARGO DOORS (top right)

Savana's rear cargo doors open 165 degrees and feature a low lift height, so it's easy to load up its cargo space—up to a maximum of 313.9 cu. ft. on extended-wheelbase models!

---

#### DRIVER-SIDE SWING-OUT CARGO DOORS

Order the available 60/40 driver-side cargo doors on 135" wheelbase models and you'll add another easy way to access the Savana cargo space. No other competitor offers this feature.





# SAVANA CARGO VAN THE MOST PRODUCTIVE WORKSITE IN AMERICA.

Savana is engineered in multiple cargo configurations, with as much as 10,000 pounds of maximum trailering strength<sup>2</sup> and 313.9 cubic feet of maximum cargo volume.<sup>1</sup> To find out more, please turn to page 8.

## SAVANA CARGO FUNCTIONALITY

For details, see corresponding page listed below.

Available Driver-Side Cargo Doors	pg. 8	Two Wheelbases: 135" and 155"	pg. 9
313.9 Cubic Feet Max Cargo Volume <sup>1</sup>	pg. 8	Up to 6700 lbs Max Trailering (1500) <sup>2</sup>	pg. 12
Rear Panel Doors Swing Open 165 Degrees	pg. 8	Up to 10,000 lbs Max Trailering (HD) <sup>2</sup>	pg. 12

<sup>1</sup>With passenger seat removed. Cargo and load capacity limited by weight and distribution. <sup>2</sup>Maximum trailer weight ratings are calculated assuming a base vehicle, except for any option(s) necessary to achieve the rating, plus driver. The weight of other optional equipment, passengers and cargo will reduce the maximum trailer weight your vehicle can tow. See your GMC dealer for additional details.

SAVANA CARGO VAN IN SUMMIT WHITE shown with available equipment.



## SAVANA INTERIOR MORE THAN YOU NEED IS JUST ENOUGH.

At the job site, connectivity is king, and Savana offers a van-load worth of innovative technologies to keep you connected, including available dealer-installed WiFi.<sup>1</sup> To discover all the ways to connect, turn to page 13.

### AVAILABLE SAVANA FEATURES

For details, see corresponding page listed below.

SiriusXM Radio <sup>2</sup>	pg. 13	OnStar Turn-by-Turn Navigation <sup>3</sup>	pg. 14
OnStar Directions & Connections <sup>3</sup>	pg. 14	Remote Keyless Entry	pg. 16

<sup>1</sup>Monthly rates apply. Visit [autonetmobile.com](http://autonetmobile.com) for coverage map and details. <sup>2</sup>If you subscribe after your trial period, subscriptions are continuous until you call SiriusXM to cancel. See SiriusXM Customer Agreement for complete terms at [siriusxm.com](http://siriusxm.com). Other fees and taxes will apply. All fees and programming subject to change. <sup>3</sup>Visit [onstar.com](http://onstar.com) for coverage map, details and system limitations. <sup>4</sup>Map coverage available in the United States, U.S. Virgin Islands, Puerto Rico and Canada. <sup>5</sup>Not compatible with all devices. <sup>6</sup>Visit [gmc.com/bluetooth](http://gmc.com/bluetooth) to find out which Bluetooth phones are compatible with the vehicle.





SAVANA INTERIOR IN MEDIUM PEWTER shown with available equipment.



---

#### TOUCH-SCREEN NAVIGATION<sup>4</sup> (above)

With the available integrated touch-screen Navigation System, Savana helps you locate your next job site and map the most efficient route so you arrive on time.

---

#### TILT-ADJUSTABLE STEERING WHEEL

With the available tilt-adjustable steering wheel, just pull the lever and tilt the wheel to the position that suits you best. Also available is a leather-wrapped steering wheel that comes with steering-wheel-mounted radio controls.

---

#### STEERING-WHEEL-MOUNTED RADIO CONTROLS

Control your audio system with your fingertips as you keep your hands on the wheel. These available controls adjust the radio, channel selection, volume and muting. When your Savana is equipped with the available USB port<sup>5</sup> the steering-wheel-mounted controls can also run many of the music search and audio features of compatible MP3 and iPod<sup>®</sup> players.

---

#### VOICE RECOGNITION

The available Bluetooth<sup>6</sup> system uses voice recognition to interpret voice commands to dial phone numbers and name tags.

---

# CARGO INTERIOR

---

With its long wheelbase and minimal rear wheel-well interference, Savana Cargo Van takes utility to a new level of functionality. There's a maximum 313.9 cu. ft. of cargo volume<sup>1</sup> on extended-wheelbase models. The available driver-side swing-out cargo doors help make 135" wheelbase models easy to load and unload bulky materials. In fact, 4' x 8' sheets can be laid flat on the floor with the rear doors shut.

<sup>1</sup>Cargo and load capacity limited by weight and distribution.

---



**1 BUILD TO SUIT** Put the spaciousness of Savana Cargo Van to work for you. Ask your GMC dealer about the purpose-built applications designed to transform Savana Cargo Van's interior into a workshop on wheels.

**DRIVER-SIDE SWING-OUT DOORS** To save steps and increase your productivity, an extra pair of side doors are available on Savana 135" wheelbase Cargo Van models. These GM-exclusive swing-out doors let you choose the most convenient access point for fast, easy loading and unloading of tools or cargo.

**DESIGNED FOR AMERICANS WITH DISABILITIES ACT (ADA) COMPLIANCE** To assist you and your organization with compliance under the ADA, Savana is designed to be fitted with ADA-compliant wheelchair and seating configurations, without compromising interior comfort or convenience. Savana readily accepts conversions for a raised top, raised doors

and upper reinforcement safety structure upfits, as well as various wheelchair lift options, retractable wheelchair securement systems, numerous wheelchair seating configurations, running boards and entry systems. (These vehicles contain equipment from an independent supplier. See the Important Words page for information about alterations and warranty.)

# PASSENGER INTERIOR

Savana Passenger Van offers two wheelbase choices, three model series and three basic seating arrangements for up to 15 passengers. No matter which Savana Passenger Van model you select, you'll be surrounded by a level of engineering refinement and advanced safety engineering designed to make this the most comfortable full-size van you've ever driven.



## 2 PASSENGER CONFIGURATIONS

Savana Passenger Vans can accommodate up to eight passengers in 1500 Series models, up to 12 passengers in 2500 and 3500 Series 135" wheelbase models or up to 15 passengers in the 3500 Series 155" wheelbase models.

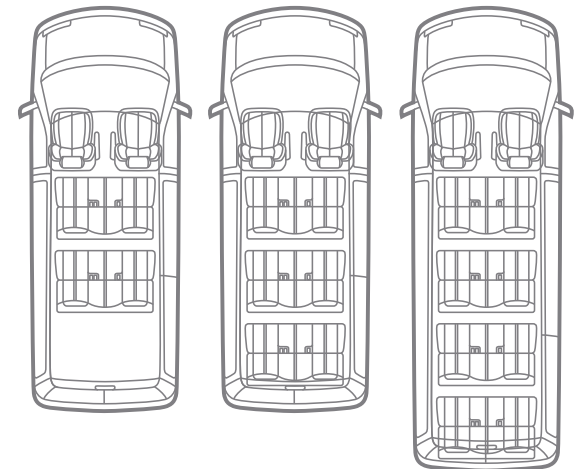
**CLIMATE CONTROL** All Savana Passenger Van models are equipped with front air conditioning, while rear air conditioning is available on 1500 and 2500 Series models and standard on 3500 Series extended-wheelbase models. A rear auxiliary heater is available with LS trim, included with rear air conditioning and standard on 3500 Series extended-wheelbase models.

2

1500 Series  
135" Wheelbase

2500 Series  
3500 Series  
135" Wheelbase

3500 Series  
155" Wheelbase





# ENGINES

Savana offers the widest choice of V-8s in its class,<sup>1</sup> the most powerful Heavy-Duty Diesel and fuel options like E85,<sup>2</sup> biofuels and Compressed Natural Gas (CNG).

<sup>1</sup>Based on 2012 GM Large Van segment. <sup>2</sup>E85 is a blend of 85 percent ethanol and 15 percent regular gasoline. Go to [gmc.com](http://gmc.com) and search E85 for more information about E85 as a fuel alternative.

3



**VORTEC 6.0L V-8 VVT (L96)**  
HORSEPOWER: 324 hp @ 4700 rpm  
TORQUE: 373 lb-ft @ 4400 rpm

# VORTEC

The five technologically advanced gasoline-powered engines offered in the Vortec family range from a 4.3L V-6 to a 6.0L V-8. Each is designed to give you power, torque and efficiency to meet your needs for confident daily driving, passing and trailering.

**VORTEC 4.3L V-6 (LU3)**

HORSEPOWER: 195 hp @ 4600 rpm

TORQUE: 260 lb-ft @ 2800 rpm

**VORTEC 4.8L V-8 VVT (L20) FlexFuel Capable**

HORSEPOWER: 280 hp @ 5200 rpm

TORQUE: 295 lb-ft @ 4600 rpm

**VORTEC 5.3L V-8 VVT (LMF) FlexFuel Capable**

HORSEPOWER: 310 hp @ 5200 rpm

TORQUE: 334 lb-ft @ 4500 rpm

**VORTEC 6.0L V-8 VVT (L96) FlexFuel Capable**

HORSEPOWER: 324 hp @ 4700 rpm

TORQUE: 373 lb-ft @ 4400 rpm

**VORTEC 6.0L V-8 VVT CNG (LC8) (Cargo Vans Only)**

HORSEPOWER: 282 hp @ 4800 rpm

TORQUE: 320 lb-ft @ 4400 rpm

**3 VORTEC ENGINES** Innovative "vortex technology" swirls and tumbles the incoming air and fuel for optimum power and response. For information on standard and available engines by model, see page 16.

**COMPRESSED NATURAL GAS (CNG) TECHNOLOGY** GMC supports the goal of reducing CO<sub>2</sub> emissions by offering CNG technology that significantly reduces vehicle emissions. Check [gmfleet.com](http://gmfleet.com) for availability.

**E85 FLEXFUEL CAPABILITY<sup>3</sup>**

To give you more choices at the pump, most Savana Vortec V-8 engines are capable of running on E85 ethanol. This advanced biofuel is a mostly renewable fuel that burns cleaner than gasoline and helps to reduce the need for imported oil.

<sup>3</sup>E85 is a blend of 85 percent ethanol and 15 percent regular gasoline. Go to [gmc.com](http://gmc.com) and search E85 for more information about E85 as a fuel alternative.

**VARIABLE VALVE TIMING (VVT)**

Standard on all Vortec V-8 engines, this technology monitors and changes valve open and close points to give you near-peak levels of torque across the entire range of engine speeds.

---

# DURAMAX DIESEL

---

The available Duramax Diesel 6.6L V-8 Turbo is coupled with an automatic 6-speed transmission. Together, they form a heavy-duty powertrain that produces a remarkable 525 lb-ft of torque at just 1600 rpm.

---



**DURAMAX DIESEL  
6.6L V-8 TURBO (LGH)**  
HORSEPOWER:  
260 hp @ 3100 rpm  
TORQUE:  
525 lb-ft @ 1600 rpm  
TRANSMISSION:  
6-Speed Automatic

**4 DURAMAX POWER** To become the most powerful available diesel in its class, the Duramax Diesel 6.6L V-8 Turbo uses advanced direct-injection technology to run at peak efficiency and to start easily in extremely cold temperatures—as quickly as 3.0 seconds at -40° F.

**DURAMAX HIGH-PRESSURE DIRECT INJECTION** For fast starts in cold weather, quieter operation and maximum efficiency, the direct injection system pressurizes fuel up to 29,000 psi. This helps to turn heavy diesel fuel into a fine mist that can be injected precisely to meet engine demand, burning cleaner and faster with lower emissions and increased power compared to more conventional diesels.

**DURAMAX B20 BIODIESEL CAPABILITY** The Duramax Diesel is engineered to operate on B20 biodiesel, a mixture of 20 percent biodiesel produced from domestic, renewable resources and 80 percent petroleum diesel.

---

# TRANSMISSIONS

---

Savana transmissions are built for the rigors of the road. On 1500 Series models, a 4-speed electronically controlled automatic with overdrive is standard. On 2500 and 3500 Series models, a heavy-duty 6-speed automatic is standard.

---



**5 HEAVY-DUTY 6-SPEED AUTOMATIC OVERDRIVE TRANSMISSION** An ideal partner for Savana's available heavy-duty engines, the 6L90 6-speed automatic is standard on all 2500 and 3500 Series models. Robust yet technologically advanced, it's a transmission engineered with features such as Automatic Grade Braking to help give you control and confidence in a wide variety of driving and trailering situations.

**AUTOMATIC GRADE BRAKING** Standard on Savana 2500 and 3500 Series models, this feature can be activated in Tow/Haul mode, but disengaged with Driver Shift Control activated. Using data on vehicle speed, acceleration, engine torque and brake pedal usage, it detects when your vehicle is on a downhill grade. Then if necessary, the transmission downshifts to help you hold your desired speed.

**TOW/HAIL MODE** This driver-selectable feature of the 4- and 6-speed automatic transmissions reduces excess shifting when towing or hauling a heavy load. On the 6-speed, Driver Shift Control electronically limits the range of available gears.

# CHASSIS & SUSPENSION

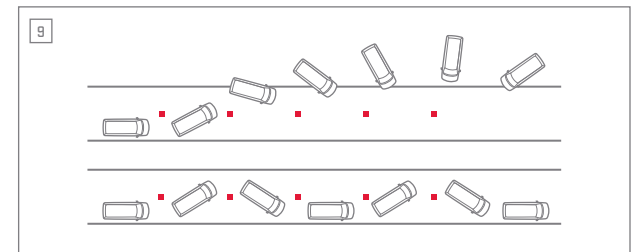
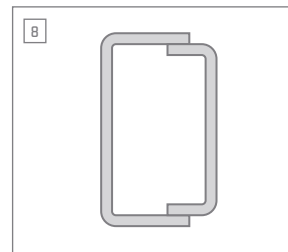
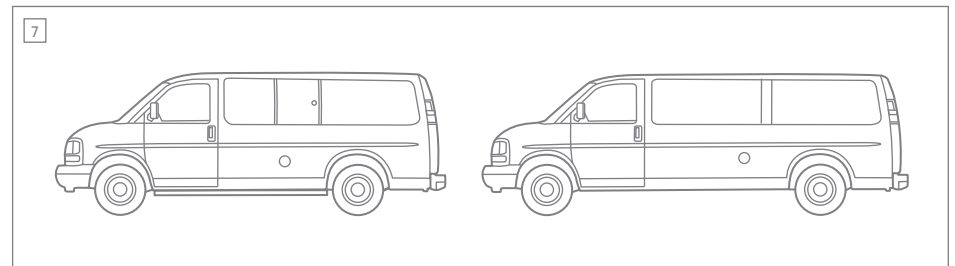
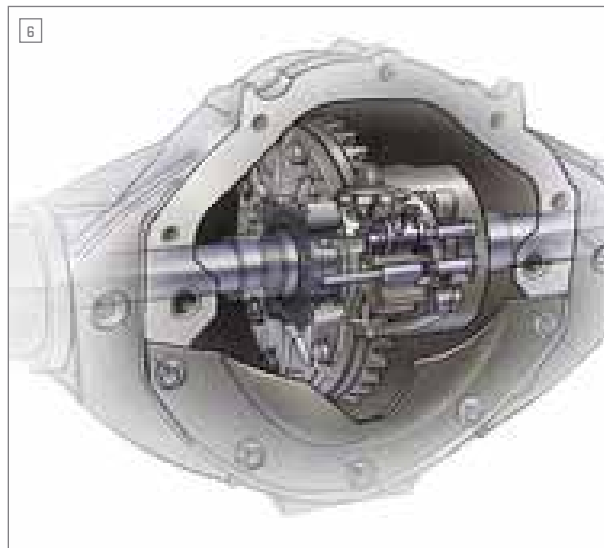
Our push for capability didn't stop with a fully boxed steel frame. We knew hills, ramps and rain-slicked roads made heavy loads feel even heavier. So we engineered Savana with technologies, including an available first-of-its-kind all-wheel-drive system, StabiliTrak stability control system and an available Eaton® automatic locking rear differential. No other competitor offers a fully automatic locking rear differential for on-road use.

**6 EATON AUTOMATIC LOCKING REAR DIFFERENTIAL** When the available Eaton locker senses a difference in wheel speed between the left and right rear wheels of approximately 100 rpm, it locks both to turn in unison for added traction.

**7 135" or 155" WHEELBASE OPTIONS** To help you build a vehicle to suit your needs, Savana is available in two wheelbase configurations that can meet a variety of personal and professional applications.

**8 FULLY BOXED HIGH-STRENGTH STEEL FRAME** Welding two overlapping C-channel sections forms a rigid box that resists bending and twisting. This frame helps Savana achieve impressive Gross Vehicle Weight Ratings (GVWR) and Gross Combination Weight Ratings (GCWR) as well as support a maximum conventional trailer rating<sup>1</sup> of up to 10,000 lbs in Cargo Van and Passenger Van models.

<sup>1</sup>Maximum trailer weight ratings are calculated assuming a base vehicle, except for any option(s) necessary to achieve the rating, plus driver. The weight of other optional equipment, passengers and cargo will reduce the maximum trailer weight your vehicle can tow. See your GMC dealer for details.



**FULLY INDEPENDENT FRONT SUSPENSION** On Rear-Wheel Drive (RWD) models, independent coil-over-shock front suspension gives you a smooth ride with responsive handling. AWD models feature a torsion bar front suspension to keep the ride height close to standard RWD models for easier driver and passenger entry and exit.

**PARALLEL LEAF SPRINGS** The rear suspension uses parallel leaf springs that increase their capacity progressively to match payload. So the ride is comfortable when empty and stable when loaded to the limit.

**ALL-WHEEL DRIVE (AWD)** Available on the 1500 Series, this AWD system was the first of its kind in a factory-built full-size van. It constantly monitors and adjusts torque seamlessly between the front and rear wheels to enhance traction.

**9 STABILITRAK STABILITY CONTROL SYSTEM** Using a network of vehicle sensors to monitor how Savana is responding to steering and braking commands, StabiliTrak determines if the vehicle is not responding properly. It can pulse the brakes or reduce engine power to help maintain the path

being steered. StabiliTrak is not a substitute for common sense; please drive carefully within the limits of the road conditions and your vehicle's capabilities.

**TRACTION CONTROL SYSTEM** To make the most of available traction on many road surfaces, traction control measures and compares the speed of your wheels. If it senses one or more wheels starting to spin, such as on a slippery surface, the system applies individual brakes and manages engine power to slow the wheel down and maintain traction, so you can move forward with a better sense of control.

**POWER STEERING** Rack-and-pinion-type steering is standard on all Savana 1500 Series models. This provides a positive, on-center feel at highway speeds, as well as low-speed assist for maneuvering in parking spaces. Savana 2500 and 3500 Series models use power recirculating ball-type steering to give a constant level of assist, even when operating at the maximum weight rating.

**POWER FOUR-WHEEL DISC BRAKES** Every Savana model comes standard with the confidence of power four-wheel disc brakes with ABS. Their large size gives them impressive capacity, which helps the brakes to run cooler and minimize wear.

**TRAILERING CAPACITY<sup>2</sup>** The maximum ratings range from 6700 lbs in the 1500 Series Cargo Van and 6200 lbs in the Passenger Van, and up to 10,000 lbs in the 2500 and 3500 Series Cargo Vans and the 3500 Passenger Van.

<sup>2</sup>Maximum trailer weight ratings are calculated assuming a base vehicle, except for any option(s) necessary to achieve the rating, plus driver. The weight of other optional equipment, passengers and cargo will reduce the maximum trailer weight your vehicle can tow. See your GMC dealer for details.



# TECHNOLOGY

**10 ULTRASONIC REAR PARKING ASSIST** This available system sends out ultrasonic waves that act like rear bumper radar to alert you to the distance of objects up to 8 feet behind the vehicle. The system operates at speeds less than 5 mph. The closer you are, the faster it beeps, to give you a clear signal that can help you operate the vehicle with maximum care.

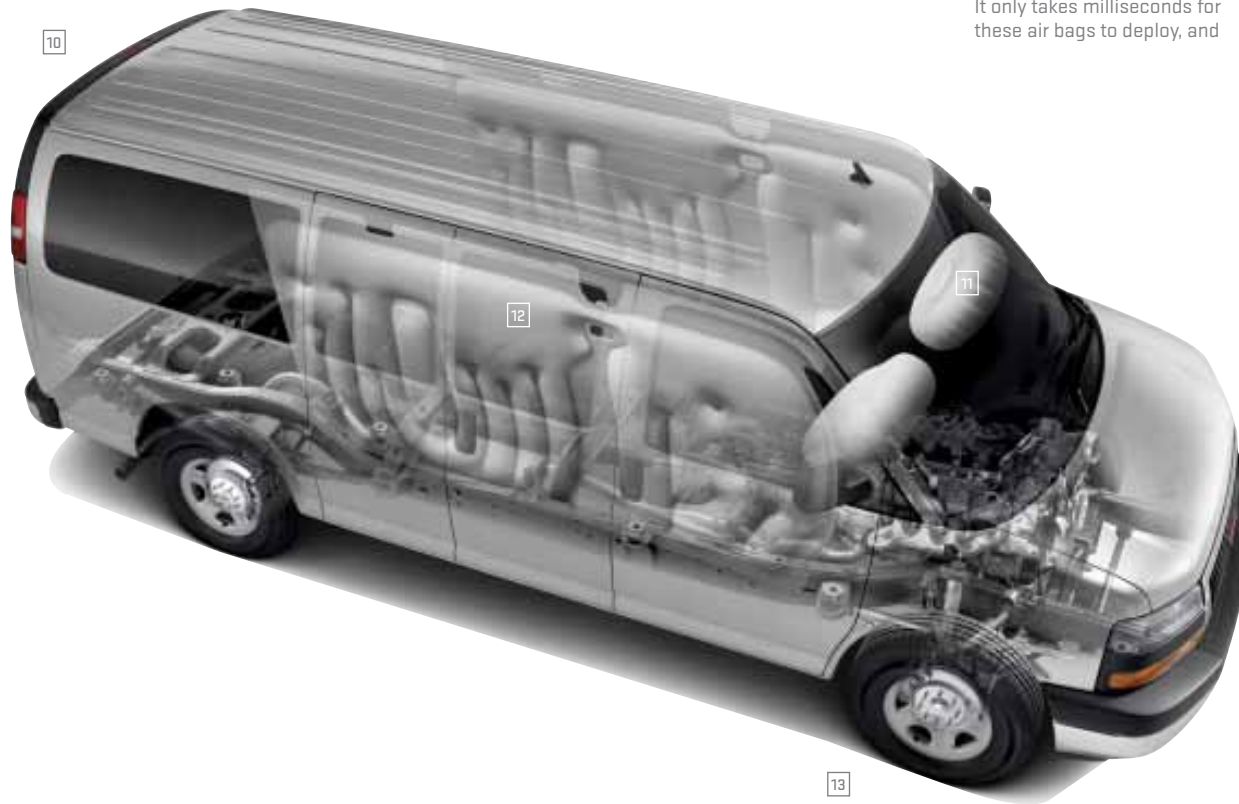
**REAR-VISION CAMERA SYSTEM** This available system makes it easier to back up to a trailer or negotiate a tight space. This system places a monitor in your rearview mirror (or navigation screen, if equipped) to display a view of the area behind the vehicle. The rear-vision camera does not replace driver vision. Please use proper care when backing up.

**SiriusXM SATELLITE RADIO<sup>3</sup>** Enjoy SiriusXM Satellite Radio in your Savana, with a 3-month trial subscription to the XMPremier Package available in WT, LS and LT models. Only SiriusXM brings you more of what you love, all in one place. Get over 130 channels, including commercial-free music, plus the best in sports, comedy and talk radio formats.

<sup>3</sup>If you subscribe after your trial period, subscriptions are continuous until you call SiriusXM to cancel. See SiriusXM Customer Agreement for complete terms at [siriusxm.com](http://siriusxm.com). Other fees and taxes will apply. All fees and programming subject to change.

**WIFI CAPABILITY<sup>4</sup>** Savana is available with dealer-installed WiFi, so you and your crews can stay connected to information via laptops and other wireless devices.

<sup>4</sup>Monthly rates apply. Visit [autonetmobile.com](http://autonetmobile.com) for coverage map and details.



# SAFETY

**11 FRONTAL AIR BAGS<sup>5</sup>** To help reduce the risk of injury, all Savana models feature driver and front-passenger frontal air bags. Savana 1500 Series models have the Passenger Sensing System that can deactivate the outboard front-passenger air bag if that occupant is under a certain weight.

**12 HEAD CURTAIN SIDE-IMPACT AIR BAGS<sup>5</sup>** Standard on Passenger Vans and available on Cargo Vans, these air bags unfurl from the roof rail like a protective curtain for the first-, second- and third-row outboard passengers, and can be activated by either rollover sensors or side-impact sensors. It only takes milliseconds for these air bags to deploy, and

all the air bags can stay inflated for up to five seconds in the event of a rollover.

<sup>5</sup>Air bag inflation can cause severe injury or death to anyone too close to the air bag when it deploys. Be sure every occupant is properly restrained. Always use safety belts and the correct child restraint for your child's age and size, even with air bags. Even in vehicles equipped with the Passenger Sensing System, children are safer when properly secured in a rear seat in the appropriate infant, child or booster seat. Never place a rear-facing infant restraint in the front seat of any vehicle equipped with an active frontal air bag. See your vehicle Owner's Manual and child safety seat instructions for more safety information.

**REINFORCED STEEL SAFETY CAGE DESIGN** Savana's high-strength steel frame is tied into the main body structure with reinforced body sills, roof pillars and a reinforced floor. This design creates a safety cage that surrounds passengers and helps to maintain passenger compartment integrity in the event of a collision.

**13 TIRE PRESSURE MONITORING SYSTEM** Properly inflated tires are important to your comfort, vehicle control and economy. The Tire Pressure Monitoring System uses tiny sensors inside the wheels to "broadcast" tire pressure to your vehicle,<sup>6</sup> which alerts you to their status and inflation level through the Driver Information Center. If you subscribe to OnStar Vehicle Diagnostics, this information is part of their monthly e-mail update, or if you have the RemoteLink App,<sup>7</sup> you can check the status instantly.

<sup>6</sup>Does not monitor spare tire. <sup>7</sup>Available on select iPhone®, Android™ and BlackBerry® platforms. Services vary by phone, vehicle and conditions. Requires an active OnStar subscription.

# ONSTAR

Before, during and after a collision, Savana surrounds you with safety innovations like available OnStar.<sup>1</sup> In the critical moments after impact, OnStar's Automatic Crash Response<sup>2</sup> can connect you to an OnStar Advisor who can use your vehicle's GPS location to help guide you, your passengers and rescue crews. And whenever someone in your Savana needs emergency help, the OnStar emergency button is a 24/7 connection to a specially trained OnStar Advisor.

<sup>1</sup>OnStar is standard on Passenger Van models and available on Cargo Van models. Visit [onstar.com](http://onstar.com) for coverage map, details and system limitations. <sup>2</sup>OnStar acts as a link to existing emergency service providers.



**DIRECTIONS & CONNECTIONS PLAN<sup>3</sup>** Never-ending demands on your time place a premium on the ability to sort and focus the information most important to you. To put this capability at your fingertips, Savana Passenger Van models come standard with a 6-month trial subscription to OnStar Directions & Connections Plan.

<sup>3</sup>Visit [onstar.com](http://onstar.com) for coverage map, details and system limitations.

**HANDS-FREE CALLING WITH VOICE-ACTIVATED DIALING<sup>4</sup>** Available OnStar Hands-Free Calling is a service built into your Savana as part of your OnStar Directions & Connections trial subscription. Just push a button, call out the number and you're free to keep your eyes on the road. It's reliable, because it is specially designed for better connectivity and fewer dropped calls in areas with limited cellular reception.

<sup>4</sup>Visit [onstar.com](http://onstar.com) for coverage map, details and system limitations. Hands-Free Calling requires a hands-free calling enabled vehicle, existing OnStar service contract and prepaid minutes. Calls can be made in U.S. and Canada only.

**TURN-BY-TURN NAVIGATION** Drive with more confidence and certainty. OnStar Turn-By-Turn Navigation is built into your Savana. It's simple—all you have to do is push one button and ask the OnStar Advisor to download directions to your Savana. Turn-By-Turn is also smart, because an automated voice calls out every turn, as you need it.

**REMOTE DOOR UNLOCK** It's happened to everyone. But there is an easy solution. If you get locked out of your Savana, OnStar can help. After verifying your account, an OnStar Advisor can send a remote signal to your Savana that usually unlocks the doors within minutes. Requires power door locks.

**REMOTE HORN AND LIGHTS** Say you're in a large parking area and you just can't remember where you parked. Just call the toll-free number and OnStar can send a remote signal to flash your lights and sound your horn to help you locate your Savana.

**ROADSIDE ASSISTANCE<sup>5</sup>** If the unexpected happens on the road—you're stranded, run out of gas or have a flat tire—one push of the OnStar button can immediately connect you to an Advisor, ready to help any hour of the day or night. OnStar can use GPS technology to pinpoint your location and connect you to a service provider. No guessing about where you are or what to do.

<sup>5</sup>Roadside service provided by Cross Country.

**STOLEN VEHICLE ASSISTANCE** If your Savana is ever stolen, OnStar can help to locate it after verification with law enforcement. OnStar can use built-in GPS technology to help locate it, prevent it from restarting with Remote Ignition Block or, if the vehicle is in use, engage Stolen Vehicle Slowdown technology to help police recover it quickly and safely.

**AUTOMATIC CRASH RESPONSE<sup>6</sup>** If your Savana is in a crash, built-in sensors can automatically send an alert to OnStar. An OnStar

Advisor is immediately connected to your vehicle to help you. Even if you aren't capable of responding, the OnStar Advisor can use GPS technology to locate you and request that emergency help is sent right away.

<sup>6</sup>OnStar acts as a link to existing emergency service providers.

**CRISIS ASSIST** During severe weather or other natural disasters, OnStar can offer assistance and help you navigate your way to safety. Just push the red OnStar emergency button and our specially trained Crisis Assist Team moves quickly to help you. OnStar can pinpoint your location and provide up-to-date information from public safety authorities, request that help be sent to you or even contact family members or loved ones.

**EMERGENCY SERVICES** If someone in your Savana needs emergency help, the OnStar emergency button gives you a priority connection to a specially trained Advisor at any time, day or night. OnStar uses GPS technology to pinpoint your location and can request police, fire or medical support be sent right away. The Advisor can also stay with you until help arrives.

**ONSTAR REMOTELINK APP<sup>7</sup>** The OnStar RemoteLink App offers an amazing level of control and connection with your vehicle. After downloading and registering the app, GMC owners with an eligible vehicle can use their iPhone®, Android™ or BlackBerry® mobile devices to control their vehicle from their phone and

perform specific commands—like unlocking their doors—remotely. You can lock/unlock your doors from any distance, start your vehicle remotely,<sup>8</sup> flash your lights and sound your horn to help locate your vehicle or contact an OnStar Advisor, Roadside Assistance or your preferred dealer. To learn all about all the great features available, go to [onstar.com](http://onstar.com).

<sup>7</sup>Available on select iPhone®, Android™ and BlackBerry® platforms. Services vary by phone, vehicle and conditions.

<sup>8</sup>Requires an active OnStar subscription. <sup>9</sup>Requires factory-installed remote start.

**ONSTAR VEHICLE DIAGNOSTICS<sup>8</sup>** The peace of mind that comes from knowing the condition of your Savana's key systems is as easy as checking your e-mail. With 6 months of standard service on equipped vehicles, OnStar Vehicle Diagnostics can run hundreds of checks of your Savana's engine, transmission, antilock brakes and more, then organize the information into an easy-to-read monthly report. OnStar can also run a check of your vehicle as you drive just by pressing the blue button and asking the Advisor for an On-Demand Diagnostics check. That's the peace of mind when you need it.

<sup>8</sup>Capabilities vary by model. Visit [onstar.com](http://onstar.com) for details and system limitations.

**HEAD CURTAIN SIDE-IMPACT AIR BAGS<sup>10</sup>** This system is standard for the first-, second- and third-row outboard passengers. These air bags unfurl from the roof rail like a protective curtain for outboard passengers and can be activated by either rollover sensors or side-impact sensors. It only takes milliseconds for

these air bags to deploy and all the air bags can stay inflated for up to five seconds in the event of a rollover.

<sup>10</sup>Always use safety belts and the correct child restraint for your child's age and size, even with air bags. Even in vehicles equipped with the Passenger Sensing System, children are safer when properly secured in a rear seat in the appropriate infant, child or booster seat. Never place a rear-facing infant restraint in the front seat of any vehicle equipped with an active frontal air bag. See your vehicle Owner's Manual and child safety seat instructions for more safety information.

**REINFORCED STEEL SAFETY CAGE DESIGN** Savana's high-strength steel frame is tied into the main body structure with reinforced body sills, roof pillars and a reinforced floor. This design creates a safety cage that surrounds passengers and helps to maintain passenger compartment integrity in the event of a collision.

**TIRE PRESSURE MONITORING SYSTEM<sup>11</sup>** Properly inflated tires are important to your comfort, vehicle control and economy. The Tire Pressure Monitoring System uses tiny sensors inside the wheels to "broadcast" tire pressure to your vehicle, which alerts you to their status and inflation level through the Driver Information Center. If you subscribe to OnStar Vehicle Diagnostics on equipped vehicles, this information is part of their monthly e-mail update, or if you have the RemoteLink App,<sup>12</sup> you can check the status instantly.

<sup>11</sup>Does not monitor spare tire. <sup>12</sup>Available on select iPhone®, Android™ and BlackBerry® platforms. Services vary by phone, vehicle and conditions. Requires an active OnStar subscription.

# WHEELS

## 1500 SERIES WHEELS



**NX7**  
17" 6-LUG GRAY-PAINTED STEEL  
STANDARD: 1500  
SERIES WT, LS TRIMS



**P03**  
17" 6-LUG GRAY-PAINTED STEEL WITH CHROME CENTER CAP  
STANDARD: 1500  
SERIES LT TRIM  
AVAILABLE: 1500  
SERIES WT, LS TRIMS



**N88**  
17" 6-LUG  
PREMIUM ALUMINUM  
AVAILABLE: 1500  
SERIES LS, LT TRIMS

## 2500/3500 SERIES WHEELS



**Q85**  
16" 8-LUG GRAY-PAINTED STEEL  
STANDARD:  
2500/3500 SERIES  
WT, LS TRIMS



**P03**  
16" 8-LUG GRAY-PAINTED STEEL WITH CHROME CENTER CAP  
STANDARD: 2500/3500 SERIES LT TRIM  
AVAILABLE: 2500/3500 SERIES WT, LS TRIMS

## PASSENGER/CARGO VAN SPECIFICATIONS

### ENGINE SPECIFICATIONS

	AXLE RATIO	VORTEC 4.3L V-6	VORTEC 4.8L V-8	VORTEC 5.3L V-8	VORTEC 6.0L V-8	DURAMAX DIESEL 6.6L V-8 TURBO
SAE net horsepower @ rpm		195 @ 4600	280 @ 5200	310 @ 5200	324 @ 4700	260 @ 3100
SAE net torque @ rpm (lb-ft)		260 @ 2800	295 @ 4600	334 @ 4500	373 @ 4400	525 @ 1600

### ENGINE/MODEL AVAILABILITY

1500 Series (RWD)		● (Cargo only)	–	● (Passenger) ○ (Cargo)	–	–
1500 Series (AWD)	–	–	–	●	–	–
2500 Series (RWD)	–	–	●	–	○	○ (Cargo only)
3500 Series (RWD)	–	–	●	–	○	○

### MAX. TRAILER WEIGHT IN LBS<sup>13</sup> (PASSENGER/CARGO)

1500 Series (RWD)	3.73 (3.42 V-6)	–/4300	–	6200/6700	–	–
1500 Series (AWD)	3.73	–	–	6000/6500	–	–
2500 Series	3.42 (3.54 Diesel)	–	6700/7400	–	9800/10,000	–/10,000
3500 Series (regular wheelbase)	3.42	–	6700/7400	–	9700/10,000	–
3500 Series (extended wheelbase)	3.42	–	6400/7100	–	9300/10,000	–
3500 Series (regular wheelbase)	3.54	–	–	–	–	10,000/10,000
3500 Series (extended wheelbase)	3.54	–	–	–	–	9700/10,000

### STANDARD TECHNICAL DATA

	1500 SERIES	2500 SERIES	3500 SERIES
Gross Vehicle Weight Rating (lbs) <sup>14</sup>	7300 (RWD)/7300 (AWD)	8600	9600/9900
Front Suspension (RWD)		Independent coil springs—all series	
Front Suspension (AWD)		Independent torsion bar—all series	
Front Axle Capacity (lbs)	3600 (RWD)/3700 (AWD)	4100	4300/4600
Rear Suspension		Multileaf springs—all series	
Rear Axle Capacity (lbs)	4000	5360	6084
Brakes		4-wheel disc with antilock system—all series	
Transmission: Electronic automatic with overdrive, Tow/Haul mode	4-speed	6-speed heavy-duty	6-speed heavy-duty
Cargo Capacity with Seats Removed (regular wheelbase) <sup>15</sup>		216.2 cu. ft. Passenger (270.4 cu. ft. Cargo)—all series	
Cargo Capacity with Seats Removed (extended wheelbase) <sup>15</sup>		252.8 cu. ft. Passenger (313.9 cu. ft. Cargo)—all series	
Fuel Tank Capacity		31 gallons approx.—all series	

KEY ● STANDARD ○ AVAILABLE – NOT AVAILABLE

<sup>13</sup>Maximum trailer weight ratings are calculated assuming a base vehicle, except for any option(s) necessary to achieve the rating, plus driver. The weight of other optional equipment, passengers and cargo will reduce the maximum trailer weight your vehicle can tow. See your GMC dealer for details. <sup>14</sup>When properly equipped; includes weight of vehicle, passengers, cargo and equipment. <sup>15</sup>Cargo and load capacity limited by weight and distribution. <sup>16</sup>Extra-cost color.

# COLORS

ONYX BLACK

STEEL GRAY METALLIC<sup>16</sup>

SAND BEIGE METALLIC<sup>16</sup>

DEEP BLUE METALLIC<sup>16</sup>

SUMMIT WHITE

POLO GREEN METALLIC<sup>16</sup>

FIRE RED

PURE SILVER METALLIC<sup>16</sup>

WHEATLAND YELLOW

### INTERIOR MATERIALS/CLOTH Standard LT, Available WT, LS

NEUTRAL

MEDIUM PEWTER

### INTERIOR COLORS/VINYL Standard WT, LS

NEUTRAL

MEDIUM PEWTER



## TRIM LEVELS

WT LS LT

## MECHANICAL

<b>ALL-WHEEL DRIVE</b> Available only on 1500 Series models	○	○	○
<b>ALTERNATOR</b> 145 amps. Standard on Diesel models. Also included with rear air conditioning on Gas Engine models.	○	○	●
<b>AUXILIARY HEAT GENERATOR</b> Fuel operated. Diesel models only.	○	○	○
<b>BATTERY</b> Dual heavy-duty maintenance-free with 770 cold-cranking amps, rundown protection and retained accessory power. Diesel models only.	●	●	●
<b>COLD CLIMATE PACKAGE</b> Engine block heater	○	○	○
<b>DIFFERENTIAL</b> Heavy-duty automatic locking rear	○	○	○
<b>ENGINES</b> Vortec 4.3L V-6 MFI	●	–	–
Vortec 4.8L V-8 FlexFuel. Standard on 2500 and 3500 Series models.	●	●	●
Vortec 5.3L V-8 FlexFuel. Standard on 1500 Series WT AWD, LS and LT models.	●	●	●
Vortec 6.0L V-8 FlexFuel. Available on 2500 and 3500 Series models.	○	○	○
Duramax Diesel 6.6L V-8 Turbo. See dealer for more details on model availability.	○	○	○
<b>STABILITRAK</b> Vehicle stability enhancement system and traction control	●	●	●
<b>TOW/HAUL MODE SELECTOR</b>	●	●	●
<b>TRAILERING EQUIPMENT</b> Heavy-duty trailering hitch platform and 7-pin sealed connector	○	○	○
<b>TRANSMISSIONS</b> 4-speed automatic, electronically controlled with overdrive, Tow/Haul mode and internal transmission oil cooler. Standard on 1500 Series models.	●	●	●
6-speed automatic, heavy-duty, electronic Tow/Haul mode. Standard on 2500 and 3500 Series models.	●	●	●
<b>TRANSMISSION OIL COOLER</b> External; 2500 and 3500 Series models	●	●	●

## SEATING

<b>FRONT RECLINING BUCKET SEATS</b> With vinyl trim	●	●	–
With custom cloth trim	○	○	●
<b>POWER SEAT ADJUSTER</b> Driver and front passenger, 6-way (driver-only on WT models)	○	–	○
<b>SEATING CONFIGURATION</b> 2-passenger, WT models only	●	–	–
8-passenger, 1500 Series models	–	●	●
8-passenger, 2500 and 3500 Series models	–	○	○
12-passenger, 2500 and 3500 Series models	–	●	●
15-passenger, 3500 Series extended-wheelbase models only	–	○	○

## INSTRUMENTATION AND CONTROLS

<b>8-POINT DIGITAL COMPASS</b> Located in the Driver Information Center. Requires rear air conditioning.	○	○	●
<b>OUTSIDE TEMPERATURE DISPLAY</b> Located in the Driver Information Center. On LS trim, requires Chrome Appearance Package.	○	○	●
<b>REAR-VISION CAMERA SYSTEM</b> With inside rearview mirror display; if Touch-Screen Navigation <sup>1</sup> is ordered, camera display is on NAV screen	○	○	○
<b>STEERING WHEEL</b> Leather-wrapped; includes steering-wheel-mounted audio controls. Requires Convenience Package [ZQ3] and up-level CD with MP3 audio system or Touch-Screen Navigation System.	○	○	○
<b>TILT-ADJUSTABLE STEERING WHEEL</b> Includes cruise control. Requires Convenience Package [ZQ3] on WT and LS models. Standard on 3500 Series Passenger models.	○	○	●
<b>ULTRASONIC REAR PARKING ASSIST</b> With audible warning. Requires AM/FM stereo with CD/MP3 player or AM/FM stereo with CD/DVD/MP3 player and Touch-Screen Navigation. <sup>1</sup>	○	○	○

## INTERIOR/CONVENIENCE

<b>AIR CONDITIONING</b> Front	●	●	●
Rear. Requires auxiliary lighting on LS models. Standard on 3500 Series Passenger extended-wheelbase models.	○	○	●
<b>CONVENIENCE PACKAGE [ZQ2]</b> Power windows and door locks	○	○	●
<b>CONVENIENCE PACKAGE [ZQ3]</b> Tilt-Wheel and cruise control. Standard on 3500 Series Passenger models.	○	○	●
<b>DELUXE CONSOLE</b> With swing-out storage	○	○	●
<b>PADDED VISORS</b> Driver and passenger side	●	●	●
With vanity mirrors (illuminated on passenger side). Standard on 3500 Series extended-wheelbase models.	–	○	●

## TRIM LEVELS

## INTERIOR/CONVENIENCE continued

<b>POWER PACKAGE</b> Includes Convenience Package [ZQ2] and outside heated, power-adjustable, black mirrors. Upgradeable to include turn signal indicators.	○	○	–
<b>POWER WINDOWS AND DOOR LOCKS</b>	○	○	●
<b>REAR AUXILIARY HEATER</b> WT and LS trim; included with rear air conditioning. Standard on 3500 Series Passenger extended-wheelbase models.	○	○	●
<b>REAR-WINDOW DEFOGGER</b>	○	○	○
<b>REMOTE KEYLESS ENTRY</b> Includes 2 transmitters. Requires Convenience Package [ZQ2] on WT and LS models.	○	○	●
<b>REMOTE START</b> Requires remote keyless entry on WT and LS models	○	○	○

## ENTERTAINMENT/COMMUNICATION/NAVIGATION

<b>AM/FM STEREO</b> With seek-and-scan, digital clock and 2 front-door speakers	○	●	●
With CD player	○	○	○
With CD/MP3 player, USB port <sup>2</sup> and 6 speakers. On WT and LS trim, requires power windows and door locks.	○	○	○
With CD/DVD/MP3 player, USB port <sup>2</sup> and Touch-Screen Navigation. <sup>1</sup> Includes 6 speakers on Passenger Van models.	○	○	○
<b>BLUETOOTH<sup>3</sup> FOR PHONE</b> Personal cell-phone connectivity	○	○	○
<b>ONSTAR DIRECTIONS &amp; CONNECTIONS PLAN<sup>4</sup></b> 6-month subscription	○	●	●
<b>SIRIUSXM RADIO<sup>5</sup></b> 3 trial months included	○	○	○

## EXTERIOR STYLING AND FUNCTIONALITY

<b>CHROME APPEARANCE PACKAGE</b> Chrome front and rear bumpers and grille; includes halogen composite headlamps	○	○	●
<b>DAYTIME RUNNING LAMPS</b>	●	●	●
<b>FRONT AND REAR BUMPERS</b> Black (includes rear step pad)	●	●	–
Chrome (includes rear step pad)	○	○	●
<b>OUTSIDE REARVIEW MIRRORS</b> Manual foldaway	●	●	●
Power-operated, heated, black. Requires Convenience Package [ZQ2]. Included with Power Package on WT and LS trim.	○	○	○
Power-operated, heated, black, with turn signal indicators in glass. Requires Convenience Package [ZQ2].	○	○	○
<b>SAVANA PRO</b> Includes 3 remote-release side-access panels. See your dealer for more details.	○	–	–
<b>SLIDING PASSENGER-SIDE DOOR</b> On LS trim, requires rear air conditioning	○	○	○
<b>SOLAR-RAY DEEP-TINTED WINDOWS</b>	○	○	●
<b>SWING-OUT DRIVER-SIDE DOORS</b> Not available on extended-wheelbase models. See your dealer for more details.	○	–	–
<b>SWING-OUT PASSENGER-SIDE DOORS</b>	●	●	●

## SAFETY AND SECURITY

<b>AIR BAGS<sup>6</sup></b> Frontal, for driver and front passenger	●	●	●
Head curtain side-impact for first-, second- and third-row outboard occupants	○	●	●
<b>ENHANCED-TECHNOLOGY GLASS</b> Rearmost side windows; 12- and 15-passenger models only	–	●	●
<b>LATCH CHILD SEAT ANCHOR SYSTEM</b>	–	●	●
<b>PASS-KEY III THEFT-DETERRENT SYSTEM</b>	●	●	●
<b>POWER DOOR LOCKS</b> With lockout protection	○	○	●
<b>SIDE STEEL DOOR BEAMS</b>	●	●	●
<b>TIRE PRESSURE MONITORING SYSTEM</b> Does not monitor spare tire	●	●	●

<sup>1</sup>Map coverage available in the United States, U.S. Virgin Islands, Puerto Rico and Canada. <sup>2</sup>Not compatible with all devices. <sup>3</sup>Go to gm.com/bluetooth to find out which Bluetooth phones are compatible with the vehicle. <sup>4</sup>Visit onstar.com for details and system limitations. <sup>5</sup>If you subscribe after your trial period, *subscriptions are continuous until you call SiriusXM to cancel*. See SiriusXM Customer Agreement for complete terms at siriusxm.com. Other fees and taxes will apply. All fees and programming subject to change. For more information about NavTraffic, visit siriusxm.com/navtraffic. For more information about Travel Link, visit siriusxm.com/travellink. XM satellite service is available only to those in the 48 contiguous USA and DC. <sup>6</sup>Always use safety belts and the correct child restraint for your child's age and size, even with air bags. Even in vehicles equipped with the Passenger Sensing System, children are safer when properly secured in a rear seat in the appropriate infant, child or booster seat. Never place a rear-facing infant restraint in the front seat of any vehicle equipped with an active frontal air bag. See your vehicle Owner's Manual and child safety seat instructions for more safety information.

# IMPORTANT WORDS

## COMMITMENT PLUS

From the owner orientation—and full tank of gas—you receive when you take possession of your Savana to the **24-Hour Roadside Assistance, Courtesy Transportation and Travel Benefits**, Commitment Plus is a portfolio of owner privileges that lasts throughout your warranty. For expert product information, Roadside Assistance or other services, call 1-800-GMC-8782.

**TRAVEL BENEFITS AND ROADSIDE ASSISTANCE** Available around the clock: trip routing service, a program for reimbursement for trip interruption due to necessary warranty repairs, towing, flat tire change, jump-starts and more for 5 years or 100,000 miles (whichever comes first).

**COURTESY TRANSPORTATION** Available at participating dealers: shuttle service, reimbursement of certain public transportation or fuel expenses for overnight warranty repairs and courtesy rental for overnight work repairs. See your dealer for details.

**GMC OWNER CENTER** A complimentary, one-stop resource to enhance your GMC ownership experience. It's easy to sign up. Just go to [gm.com/gmownercenter/gmc](http://gm.com/gmownercenter/gmc).

## ONSTAR



OnStar is a core asset of your Savana. Benefiting from more than a decade of innovative development, it is both a highly advanced technology—fully integrated within the vehicle—and a warm human service. Standard on all Savana Passenger Vans and available on Cargo Vans are 6 months of the OnStar Directions & Connections Plan, including the convenience of available Hands-Free Calling. It also includes Automatic Crash Response, Stolen Vehicle Assistance, link to Emergency Services, Roadside Assistance, Remote Door Unlock, OnStar Vehicle Diagnostics, Crisis Assist and Remote Horn and Lights. OnStar services require vehicle electrical system (including battery), wireless service and GPS satellite signals to be available and operating for features to function properly. OnStar acts as a link to existing emergency service providers. Visit [onstar.com](http://onstar.com) for coverage maps, details and system limitations. Services vary with conditions.

## HANDS-FREE CALLING

Available OnStar Hands-Free Calling capability is built into your Savana. It's there when your cell phone is unavailable, its battery is low, you can't reach it easily or you left it at home or in the office. Your Hands-Free Calling system is the right choice whenever you need an easy way to make and receive calls—at the touch of the phone icon on the rearview mirror or the steering-wheel-mounted controls. Voice-activated dialing is convenient because you don't have to dial when you are at the wheel. And Hands-Free Calling is reliable because it's specially designed for better reception and fewer dropped calls in areas of limited cellular reception.

## ONSTAR TURN-BY-TURN NAVIGATION

Standard on all Savana Passenger Vans and available on Cargo Vans are 6 months of the OnStar Directions & Connections Plan that adds innovative, easy-to-use Turn-by-Turn Navigation plus Information and Convenience Services and Driving Directions. With Turn-by-Turn Navigation, you simply tell the OnStar Advisor your intended destination, and directions will automatically be sent to your Savana. If you drive off course, the system can reroute you to your intended destination. An automated voice then guides you turn-by-turn until you arrive at your destination. Turn-by-Turn Navigation is further enhanced with eNAV, allowing you to send MapQuest™ directions directly to your vehicle. No need to print out directions; just call them up with simple voice commands.

## SIRIUSXM SATELLITE RADIO



SiriusXM Satellite Radio<sup>1</sup> is available on all Savana models. It includes 3 trial months of service to the XMPremier Package. SiriusXM Satellite Radio makes your drive come alive with commercial-free music channels from virtually every genre, artist-dedicated channels, live performances and more. Tune in to live play-by-play from the biggest sports, exclusive entertainment from top personalities, compelling talk, hilarious comedy, world-class news, local traffic and weather and family-friendly programming. Welcome to the world of satellite radio. Visit [siriusxm.com](http://siriusxm.com) for details.

## GMC CERTIFIED SERVICE



To help your Savana live up to its performance promise, GMC Certified Service—found exclusively at your GMC dealer—is there. With all the engineering excellence in Savana, GM-trained technicians have the expertise to care for all of it.

**A NOTE ON CHILD SAFETY** Always use safety belts and the correct restraint for your child's age and size. Even in vehicles equipped with the Passenger Sensing System, children are safer when properly secured in a rear seat in the appropriate infant, child or booster seat. Never place a rear-facing infant restraint in the front seat of any vehicle equipped with an active frontal air bag. See the Owner's Manual and child safety seat instructions for more safety information.

## ADDITIONAL NOTES

**TRAILERING AND OFF-ROAD INFORMATION** Please carefully review the Owner's Manual for important safety information about trailering or off-road driving in your vehicle.

**IMPORTANT WORDS ABOUT THIS CATALOG** We have tried to make this catalog comprehensive and factual. We reserve the right, however, to make changes at any time, without notice, in prices, colors, materials, equipment, specifications, models and availability. Specifications, dimensions, measurements, ratings and other numbers in this catalog and other printed materials provided at the dealership or affixed to vehicles are approximates based upon design and engineering drawings and prototypes and laboratory tests. Your vehicle may differ due to variations in manufacture and equipment. Since some information may have been updated since the time of printing, please check with your GMC dealer for complete details. GMC reserves the right to lengthen or shorten the model year for any product for any reason, or to start and end model years at different times.

**FLEET ORDERS** Some standard content may be deleted with fleet orders. See dealer for details.

**ENGINES** GMC products are equipped with engines produced by GM Powertrain or other suppliers to GM worldwide. The engines in GMC products may also be used in other GM makes and models.

**GMC.COM** See more of Savana on our Web site: [gm.com/savana](http://gm.com/savana). More photos and information; hot links to related subjects; convenient dealer locator; pricing guide, spec out your own vehicle. Or call 1-800-GMC-8782.

**AN IMPORTANT NOTE ABOUT ALTERATIONS AND WARRANTIES** Installations or alterations to the original equipment vehicle (or chassis) as distributed by General Motors are not covered by the General Motors New-Vehicle Limited Warranty. The special body company, assembler, equipment installer or upfitter is solely responsible for warranties on the body or equipment and any alterations (or any effect of the alterations) to any of the parts, components, systems or assemblies installed by GM. General Motors is not responsible for the safety or quality of design features, materials or workmanship of any alterations by such suppliers.

**NEW-VEHICLE LIMITED WARRANTY** All GMC light-duty vehicles come with a fully transferable, no-deductible 5-year/100,000-mile (whichever comes first) Powertrain Limited Warranty. GM vehicles registered in the U.S.A. are also covered for 3 years or 36,000 miles (whichever comes first). Coverage includes tires and towing to your nearest GMC dealership. Repairs will be made to correct any vehicle defect and most warranty repairs will be made at no charge. In addition, rust-through corrosion will be covered for 6 years or 100,000 miles (whichever comes first). See dealer for details.

**ASSEMBLY** GMC vehicles and their components are assembled or produced by different operating units of General Motors, its subsidiaries or suppliers to GM worldwide. We sometimes find it necessary to produce GMC vehicles with different or differently sourced components than originally scheduled. Since some options may be unavailable when your vehicle is assembled, we suggest that you verify that your vehicle includes the equipment you ordered or, if there are changes, that they are acceptable to you.

**GMMOBILITY.COM** (1-800-323-9935) GM Mobility offers financial assistance for eligible adaptive equipment to make automotive travel easier for persons with disabilities or special transportation needs. To learn more about special GM Mobility offers, visit [gmmobility.com](http://gmmobility.com).

**GMCARDMEMBERSERVICES.COM** Did you know about the family of reward credit cards that can help you get a great deal on a new GM car, light-duty truck, SUV or crossover? With a GM reward card, you accrue earnings on every credit card purchase to use toward the purchase or lease of an eligible new GM vehicle. With three cards to choose from, you're sure to find one that suits you.

<sup>1</sup>If you subscribe after your trial period, *subscriptions are continuous until you call SiriusXM to cancel*. See SiriusXM Customer Agreement for complete terms at [siriusxm.com](http://siriusxm.com). Other fees and taxes will apply. All fees and programming subject to change. For more information about NavTraffic, visit [siriusxm.com/navtraffic](http://siriusxm.com/navtraffic). For more information about Travel Link, visit [siriusxm.com/travelink](http://siriusxm.com/travelink). XM satellite service is available only to those in the 48 contiguous USA and DC.

©2012 General Motors. All rights reserved. GM, the GM logo, GMC, the slogans, emblems, vehicle model names, vehicle body designs and other marks appearing in this catalog are the trademarks and/or service marks of General Motors, its subsidiaries, affiliates or licensors. iPod and iPhone are registered trademarks of Apple, Inc. Facebook is a registered trademark of Facebook, Inc. Twitter is a registered trademark of Twitter, Inc. YouTube is a registered trademark of Google, Inc. Sirius, XM and all related marks and logos are trademarks of SiriusXM Radio, Inc.

## BUSINESS CHOICE



GMC Business Choice is an incentive program designed specifically for business owners who use vehicles in the day-to-day operation of their business and not solely for transportation purposes. This incentive is available when you purchase or lease an eligible truck or van and offers valuable upfit equipment, upfit cash or card benefits. See your GMC dealer for details.



VISIT US AT [GMC.COM](http://GMC.COM)



[FACEBOOK.COM/GMC](https://FACEBOOK.COM/GMC)



[TWITTER.COM/THISISGMC](https://TWITTER.COM/THISISGMC)



[YOUTUBE.COM/GMC](https://YOUTUBE.COM/GMC)

13GMC5AVRC-25