

2010 GMC SIERRA





SIERRA

LEFT:
SIERRA HYBRID
IN PURE SILVER METALLIC

IN OUR REFUSAL TO LEAVE WELL ENOUGH ALONE AND OUR UNWILLINGNESS TO COMPROMISE, WE UNCOVERED GREAT CAPABILITY. OUR ENGINEERS APPLIED A COMBINATION OF MECHANICAL, AERODYNAMIC AND MASS-REDUCING ENHANCEMENTS TO GIVE OUR SIERRA 1500 XFE BETTER CONVENTIONAL ENGINE V-8 FUEL ECONOMY THAN ANY OTHER COMPETITOR.¹ THEY EQUIPPED ANOTHER WITH AMERICA'S FIRST TWO-MODE HYBRID TECHNOLOGY TO GIVE THE SIERRA HYBRID A 40-PERCENT IMPROVEMENT² IN CITY FUEL ECONOMY OVER THE CONVENTIONAL ENGINE AND BEST-IN-CLASS V-8 FUEL ECONOMY.³ THE SIERRA 3500HD, EQUIPPED WITH THE AVAILABLE DURAMAX DIESEL AND ALLISON TRANSMISSION, IS STILL THE MOST POWERFUL V-8 ONE-TON. THAT'S TECHNOLOGY THAT HAPPENS WHEN YOU ENGINEER TO EXCEED EXPECTATIONS.

Unless otherwise noted, all class claims based on 2009 GM Large Pickup segment and latest competitive information available at time of printing.

¹EPA-estimated mpg 15 city/22 hwy. Excludes other GM vehicles. ²Sierra Hybrid 21 city vs. 15 city EPA-estimated mpg. Excludes other GM vehicles. ³EPA-estimated mpg 21 city/22 hwy. Excludes other GM vehicles.

SIERRA HYBRID

21 CITY

22 HWY.

EPA-ESTIMATED MPG



RIGHT:
SIERRA 3500HD CREW CAB
SLT WITH DUAL REAR WHEELS
IN PURE SILVER METALLIC SHOWN
WITH AVAILABLE EQUIPMENT

TABLE OF CONTENTS

02	_ HYBRID
04	_ LIGHT-DUTY CAPABILITY
08	_ ALL-TERRAIN
10	_ HEAVY-DUTY CAPABILITY
14	_ LD/HD TRAILERING
16	_ FLEXIBLE ACCOMMODATIONS
18	_ DENALI INTERIOR
20	_ AMENITIES
22	_ SLT/SLE INTERIORS
24	_ FUNCTIONALITY
26	_ SAFETY
28	_ FEATURES AND OPTIONS
36	_ GMC ACCESSORIES

SIERRA HYBRID

332 HP

367 LB-FT OF TORQUE

6100 LBS TRAILER RATING¹

12,000 LBS GCWR² 2WD MODELS

HYBRID TECHNOLOGY

At the heart of this innovative vehicle are traditional Sierra strengths, including a Vortec engine. In this case it's the 6.0L V-8, using Variable Valve Timing (VVT) to produce 332 hp and 367 lb-ft of torque. Managing the on-the-fly blending of engine and electrical propulsion is an electronically variable automatic transmission.

ACTIVE FUEL MANAGEMENT (AFM)

In situations where you don't need extra power, such as cruising down the highway on level roads, Sierra Hybrid's AFM deactivates four of the engine's eight cylinders. When load demands increase, all cylinders are reactivated to provide eight-cylinder operation and maximum power.

BATTERY AND MOTORS

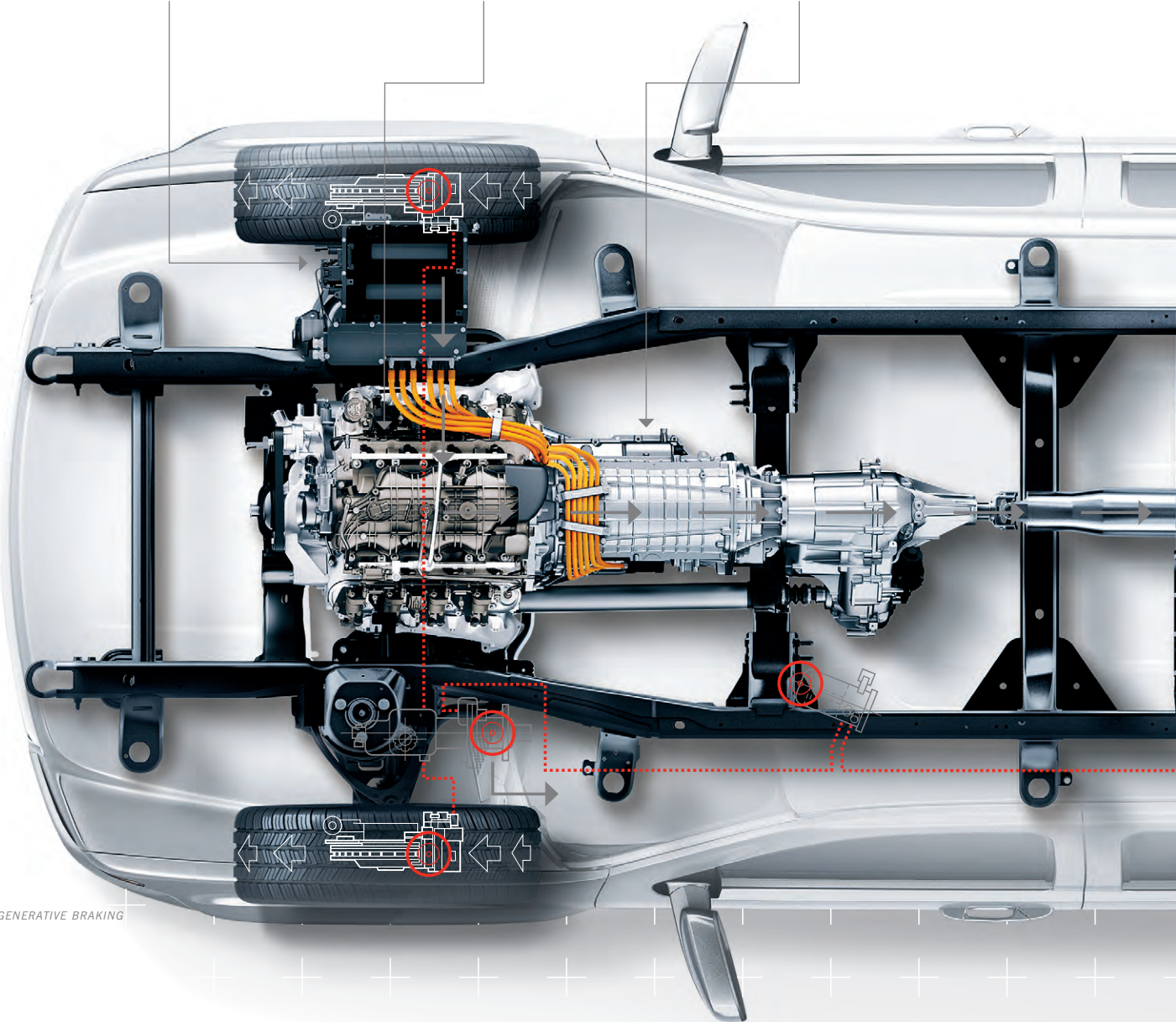
The electric portion of the hybrid system features a 300-volt nickel-metal hydride battery pack that fits neatly under Sierra's rear seat without compromising passenger room or cargo space. When called on, two motors integrated within the transmission draw on battery power to propel the vehicle.

2WD AND 4WD MODELS

ELECTRIC RACK-AND-PINION POWER STEERING

6.0L VORTEC V-8 WITH ACTIVE FUEL MANAGEMENT

ELECTRONICALLY VARIABLE TRANSMISSION WITH INTEGRAL ELECTRIC MOTORS



FROM GAS POWER TO WHEELS

ELECTRIC POWER TO MOTOR

RECLAIMED ENERGY FROM REGENERATIVE BRAKING

02 _ HYBRID

¹Maximum trailer weight ratings are calculated assuming a base vehicle, except for any option(s) necessary to achieve the rating, plus driver. The weight of other optional equipment, passengers and cargo will reduce the maximum trailer weight your vehicle can tow. See your GMC dealer for additional details. ²When properly equipped; includes weight of the vehicle and trailer combination, including the weight of the driver, passengers, fuel, optional equipment and cargo in the vehicle and trailer. ³Sierra Hybrid 21 city vs. 15 city EPA-estimated mpg.

STOP-TO-GO DRIVING

During normal stops, regenerative braking uses the motors in the hybrid transmission as generators to decelerate the vehicle by applying resistance in the motors rather than brake friction. At the same time, the motors are capturing that energy as electricity in the 300-volt battery pack, electricity that is available for the next acceleration cycle.

HYBRID MODE 1: KEY TO THE CITY

At low speed and with a light load, Mode 1 can employ electric power alone, engine power alone or a combination of both. It reduces fuel consumption in stop-and-go traffic by shutting off the engine and operating on electric power alone. The result is an EPA-estimated 21 mpg in city driving, a 40-percent improvement over the traditional engine.³

HYBRID MODE 2: HIGHWAY/HAULING

At highway speeds, AFM uses either V-4 or V-8 operation—sometimes with supplemental electric power as conditions warrant. Full V-8 engine power is used when conditions demand it—such as passing, trailer towing or climbing steep grades. On the highway, Sierra Hybrid has an EPA-estimated 22 mpg.

ENGINEERED FOR TRAILERING

The Sierra Hybrid automatically and seamlessly selects the best operating point for the powertrain to deliver both fuel economy and performance while also reducing gear “hunting” associated with trailering.

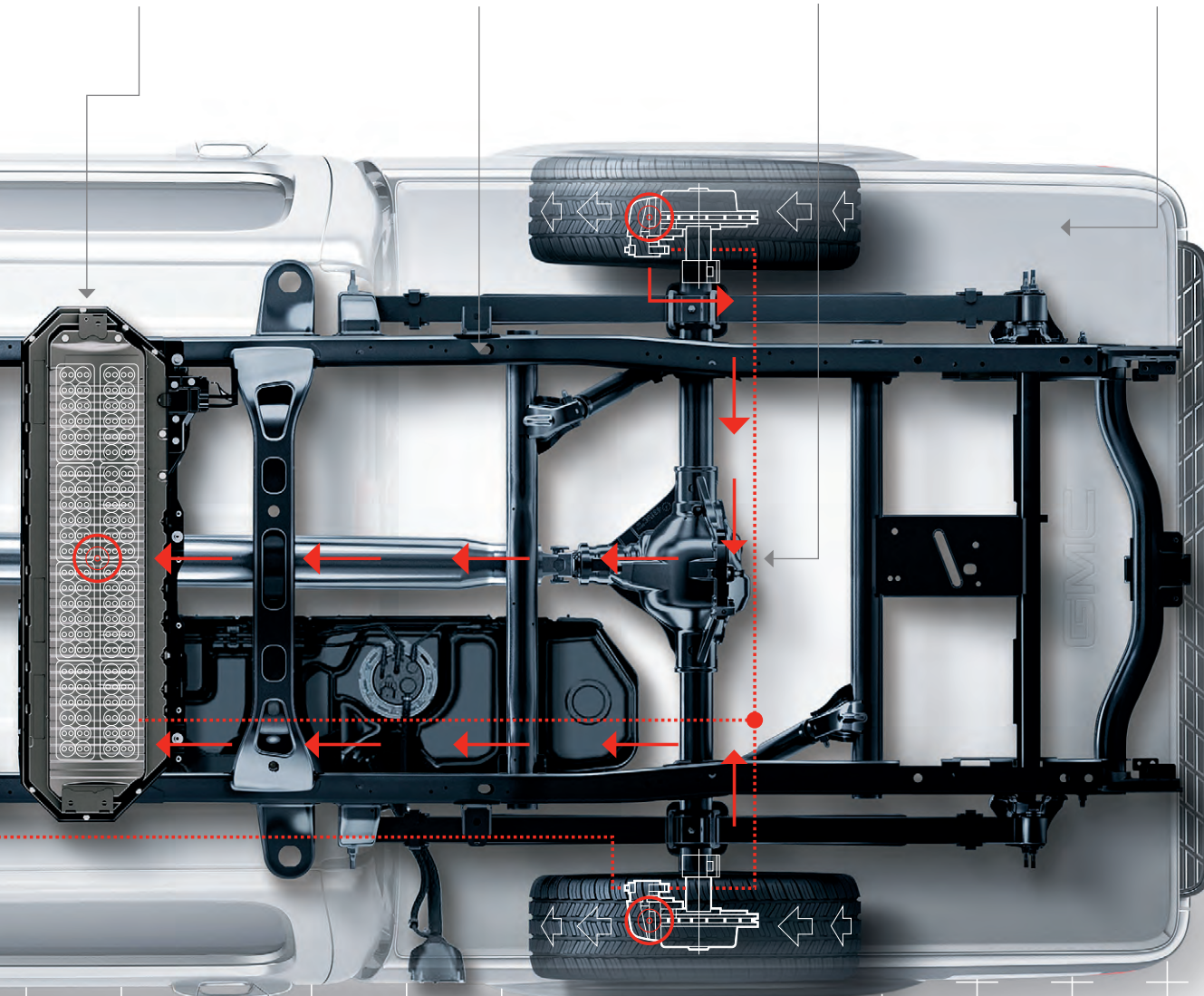
300-VOLT NICKEL-METAL HYDRIDE BATTERY

BOXED FRAME FOR TORSIONAL RIGIDITY:
KEY ASSET OF ALL SIERRA 1500 MODELS

3.08 REAR AXLE RATIO

HARD TONNEAU COVER 3HB;
SOFT COVER 3HA

>>



VORTEC 5.3L V-8 VVT WITH AFM
SIERRA XFE 2WD

15 CITY
EPA-EST. MPG

22 HWY.
EPA-EST. MPG

BETTER V-8 FUEL ECONOMY¹
THAN ANY COMPETITOR

VORTEC 6.2L V-8 VVT
SIERRA DENALI

403 HP

417 LB-FT
OF TORQUE

MOST V-8 HALF-TON HP
AND TORQUE²

□ □ □ □ □

IN THE MIX

HORSEPOWER
TORQUE
ECONOMY
EMISSIONS

SIERRA 1500 VORTEC ENGINE TECHNOLOGIES

CORE VALUES

VORTEC CYLINDER HEADS : SWIRL, TUMBLE THE INTAKE CHARGE, WHICH IMPROVES THE AIR / FUEL

ELECTRONIC THROTTLE CONTROL : FOR RELIABILITY AND MORE PRECISE THROTTLE RESPONSE >

ONSTAR VEHICLE DIAGNOSTICS : CHECKS ON KEY OPERATING SYSTEMS, INCLUDING THE VORTEC ENGINE >

ACTIVE FUEL MANAGEMENT (AFM)

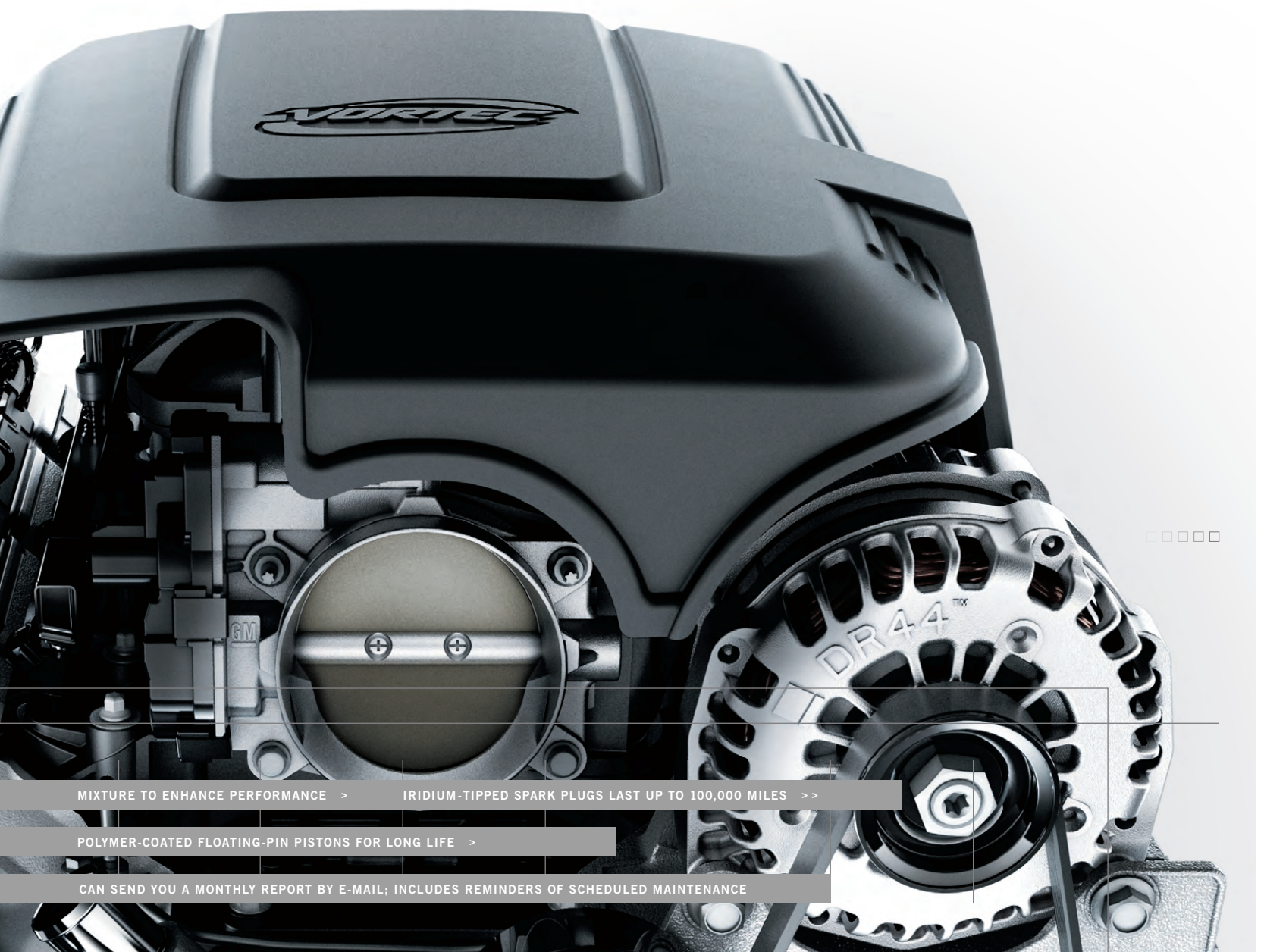
With this advanced technology, all eight cylinders operate during starting, idling and torque-intensive tasks like accelerating, hauling heavy loads or towing. But in everyday driving, once Sierra has reached cruising speed, AFM can temporarily deactivate four of the eight cylinders. A sophisticated Engine Control Module (ECM) continuously measures load conditions, including throttle input. Under light loads, it automatically closes select intake and exhaust valves and cuts fuel delivery for half of the cylinders. When the driver demands brisk acceleration or full torque to move a load, the ECM activates all cylinders—within 20 milliseconds—so full V-8 power is always right there, on tap. Transitions are virtually indiscernible to most drivers. AFM helps Sierra XFE models offer the best conventional engine fuel economy in its class.¹ For more on XFE, see next column and page 32.

XFE: THE DRIVE FOR ECONOMY

Sierra XFE models use a combination of mechanical, aerodynamic and mass-reduction enhancements—including the aluminum block Vortec 5.3L V-8 with AFM—resulting in an EPA-estimated 22 highway mpg. Still, the XFE powertrain provides a max trailer rating of 7000 pounds.³

¹EPA-estimated mpg 15 city/22 hwy. Sierra 1500 XFE 2WD. Excludes other GM vehicles. ²Excludes other GM vehicles. ³Maximum trailer weight ratings are calculated assuming a base vehicle, except for any option(s) necessary to achieve the rating, plus driver. The weight of other optional equipment, passengers and cargo will reduce the maximum trailer weight your vehicle can tow. See your GMC dealer for additional details. ⁴E85 is 85 percent ethanol and 15 percent gasoline. Visit gm.com/e85 to see if there is an E85 station near you. E85 EPA-estimated mpg for Sierra XFE 11 city/16 hwy.





MIXTURE TO ENHANCE PERFORMANCE >

IRIDIUM-TIPPED SPARK PLUGS LAST UP TO 100,000 MILES >>

POLYMER-COATED FLOATING-PIN PISTONS FOR LONG LIFE >

CAN SEND YOU A MONTHLY REPORT BY E-MAIL; INCLUDES REMINDERS OF SCHEDULED MAINTENANCE

SIERRA HYDRA-MATIC TRANSMISSIONS

↑ VORTEC 5.3L V-8 VVT WITH AFM (LC9)

Now standard on all Sierra 1500 models with Vortec 6.2L and 5.3L V-8 engines is an electronically controlled 6-speed automatic that combines high max trailering with precise control. Driver Shift Control (DSC) lets you select a range of gears to suit variable driving conditions. Shift into "M" and the currently engaged gear number is illuminated, and all other gears are accessible. As conditions vary, you may change the range of available gears by simply tap-shifting the plus/minus button up or down. The 6-speed's Tow/Haul mode reduces excessive shifting when towing or hauling a heavy load, and it automatically engages grade braking. Grade braking assists in maintaining desired speeds on downhill grades by implementing a shift schedule that utilizes the engine and transmission to slow the vehicle. Available heavy-duty cooling helps deliver improved trailer ratings on all models equipped with the 5.3L V-8 engines and the 6-speed transmission. Standard with the 4.3L V-6 and 4.8L V-8 is an electronically controlled 4-speed automatic that features overdrive for highway driving and automatic Tow/Haul mode.

E85: VORTEC 4.8L V-8⁴/VORTEC 5.3L V-8⁴/VORTEC 6.2L V-8⁴

□□□□□

Sierra 1500 capitalizes on a wide front track and a boxed frame with high torsional rigidity. Torsional rigidity—resistance to twisting—contributes to durability and to performance. By hydroforming the front rails, our engineers eliminated several welds, allowing for tighter packaging and improved fit at bolting points. The rear rails are fully boxed all the way back to the

spare tire cross-member, where they become C-Channel. This sophisticated design helps boost payload capacity without significantly increasing vehicle weight. Ingenious hydraulic body mounts, standard on select models, securely link the cab to the frame, but in a way that isolates occupants from road (or off-road) noise and vibration.

STRONG FOUNDATION/HYDRAULIC BODY MOUNTS

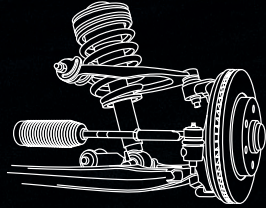


06 _ LIGHT-DUTY CAPABILITY

SIERRA 1500 CREW CAB SLT IN STEALTH GRAY METALLIC SHOWN WITH AVAILABLE EQUIPMENT

COMPLIANT SUSPENSION

Front suspension is a coil-over-shock design that has less mass than the typical torsion-bar system. Reducing mass improves ride quality and handling everywhere from rough roads to smooth highways. The rear leaf-spring design combines a smooth ride with outstanding load-carrying capability.¹



BRAKES AND STEERING

For confident stopping in a wide variety of conditions, a four-wheel Antilock Brake System (ABS) is standard. Rack-and-pinion steering provides precise performance and an on-center feel. It also offers low-speed assist for easier maneuvering in tight spots. The result is confident handling, remarkable payload capabilities¹ and smooth, quiet performance on the highway.



STABILITRAK

The StabiliTrak stability control system and traction control are standard on all 1500 models and select 2500HD models. The system has sensors that read the position of your steering wheel, vehicle speed, brake pressure, lateral acceleration and turning rate, then feed the data to an onboard computer. If your Sierra is not responding adequately to your steering input, the computer adjusts engine speed and applies brake pressure to any individual wheel to help keep you on track. Its rollover-avoidance feature can help mitigate roll forces. Its sensors are programmed to proactively predict and help counteract vehicle “tip-up” on a flat road surface.

¹Cargo and load capacity limited by weight and distribution.

BADGE OF AUTHORITY

The Sierra All-Terrain builds on a legend. It takes the Z71 suspension and adds a host of refinements that extend from Rancho® Tenneco shocks at the corners to available front leather-appointed seats designed to let you make tracks in comfort and style. It's available on half-ton, 2WD or 4WD, Extended Cab and Crew Cab models.



08 _ ALL-TERRAIN

SIERRA ALL-TERRAIN CREW CAB IN ONYX BLACK SHOWN WITH AVAILABLE EQUIPMENT

MECHANICAL

Z71 OFF-ROAD SUSPENSION PACKAGE

RANCHO TENNECO SHOCKS

STANDARD VORTEC 5.3L V-8 VVT

AVAILABLE VORTEC 6.2L V-8 VVT,
INCLUDING OIL COOLER AND TRANS-
MISSION COOLER

EATON AUTOMATIC LOCKING
DIFFERENTIAL

Z82 HEAVY-DUTY TRAILERING
EQUIPMENT, INCLUDING A TRAILER
HITCH PLATFORM AND 2-INCH
RECEIVER, SEVEN-WIRE HARNESS,
WIRING HARNESS FOR AFTERMARKET
TRAILER BRAKE CONTROLLER AND
SINGLE WIRE FOR CENTER HIGH-
MOUNTED STOP LAMP

EXTERIOR

18-INCH CHROME CLAD WHEELS

UNIQUE CHROME FOUR-BAR GRILLE

BODYSIDE MOLDINGS WITH
CHROME INSERTS

FULL-FUNCTION MIRRORS WITH
BODY-COLOR MIRROR CAPS AND
BODY-COLOR DOOR HANDLES

"ALL-TERRAIN" BADGE ON
FRONT FENDER

AVAILABLE IN STORM GRAY
METALLIC, PURE SILVER METALLIC,
CARBON BLACK METALLIC, ONYX
BLACK AND SUMMIT WHITE

INTERIOR

EBONY/EBONY FRONT LEATHER-
APPOINTED SEATS STANDARD WITH
SLT TRIM

EXCLUSIVE TWO-TONE EBONY/LIGHT
TITANIUM FRONT LEATHER-APPOINTED
SEATS AVAILABLE WITH SLT TRIM

EBONY/EBONY CLOTH SEATING
STANDARD WITH SLE TRIM

BRUSHED METAL INTERIOR ACCENTS

LUXURY INSTRUMENT PANEL

UNIQUE GAUGE CLUSTER BACKGROUND

"ALL-TERRAIN" EMBROIDERED
FLOORMATS

Z71 OFF-ROAD SUSPENSION PACKAGE

The tough get going with GMC's legendary Z71 Off-Road Suspension Package, available on most Sierra models. Equipment includes specially tuned shocks, off-road jounce bumpers, plus a high-capacity air cleaner and Z71 decals on the rear quarters.



SIERRA ALL-TERRAIN INTERIOR WITH TWO-TONE EBONY/LIGHT TITANIUM FRONT LEATHER-APPOINTED SEATS SHOWN WITH AVAILABLE EQUIPMENT

DURAMAX DIESEL 6.6L V-8 TURBO

6.6 LITERS (403 CU. IN.)
365 HP @ 3200 RPM
660 LB-FT TORQUE @ 1600 RPM

VORTEC 6.0L V-8 VVT

MODELS ABOVE 10,000-LB GVWR¹
6.0 LITERS (364 CU. IN.)
322 HP @ 4400 RPM
380 LB-FT TORQUE @ 4200 RPM

MODELS BELOW 10,000-LB GVWR¹
6.0 LITERS (364 CU. IN.)
360 HP @ 5400 RPM
380 LB-FT TORQUE @ 4200 RPM



SIERRA HEAVY-DUTY

IN THE SPIN

HORSEPOWER
TORQUE
EFFICIENCY
EMISSIONS

TURBO TECH

DURAMAX DIESEL 6.6L V-8 TURBO : VARIABLE-GEOMETRY TURBOCHARGER BOOSTS PERFORMANCE

LOW 16.8:1 COMPRESSION RATIO COMPLEMENTS CYLINDER HEAD DESIGNED TO ACCOMMODATE HIGHER PEAK CYLINDER

GLOW PLUGS : DESIGNED TO HEAT UP FAST THROUGH AN INDEPENDENT CONTROLLER FOR EASIER STARTING >

EXHAUST GAS RECIRCULATION (EGR) : SYSTEM COOLS EXHAUST GASES FOR OPERATING EFFICIENCY

DIESEL PARTICULATE FILTER SYSTEM : TRAPS PARTICULATE MATTER IN A HONEYCOMB-LIKE CERAMIC BRICK >

B5 : DESIGNED TO RUN ON FIVE PERCENT BIODIESEL (B5) FUEL THAT MEETS ULTRA-LOW SULFUR STANDARDS >

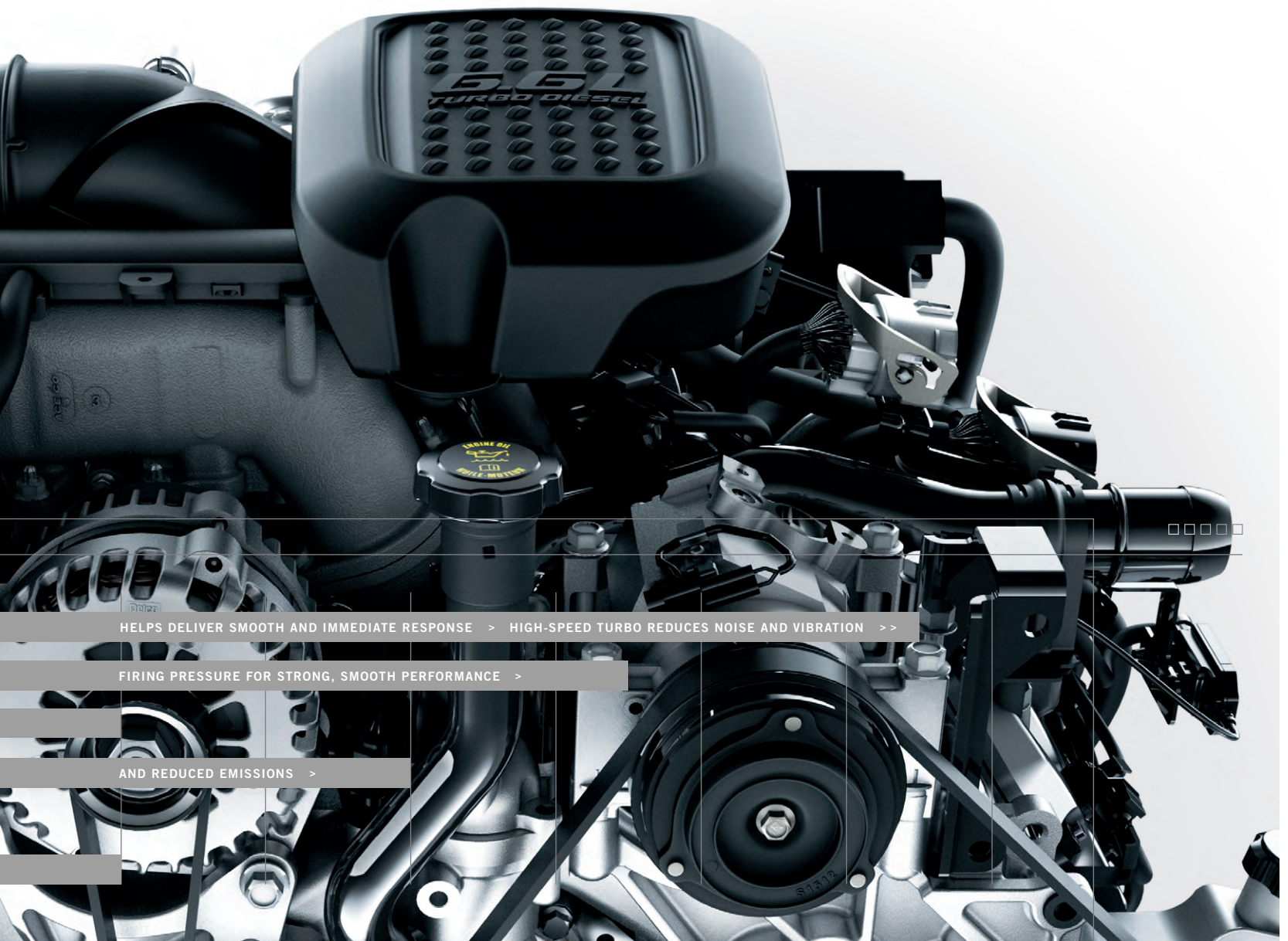
THE MOST POWERFUL ONE-TON V-8 EVER²

Sierra heavy-duty pickups offer the power and performance GMC is famous for—on a larger scale. With an extraordinary 660 lb-ft of torque, the optional Duramax Diesel 6.6L V-8 Turbo engine makes the 3500HD the most powerful V-8 one-ton.² It also features a GCWR of up to 23,500 lbs.³

The Duramax V-8 is paired with the Allison 1000 6-speed automatic transmission (shown at right). It allows you to activate Tow/Haul mode simply by pressing a button at the end of the shift lever. In addition to grade braking, the Allison 1000 adds cruise braking. If you've set the cruise control, it detects when you're accelerating downhill and automatically downshifts. And with tap-shifting, you can manually select upshifts and downshifts.

And every GMC heavy-duty truck is backed by the best coverage in America, including GMC's 5-Year/100,000-Mile Transferable Powertrain Limited Warranty,⁴ plus 24-hour Roadside Assistance and Courtesy Transportation.

¹When properly equipped; includes weight of vehicle, passengers, cargo and equipment. ²Excludes other GM vehicles. ³When properly equipped; includes weight of the vehicle and trailer combination, including the weight of the driver, passengers, fuel, optional equipment and cargo in the vehicle and trailer. ⁴Whichever comes first. See dealer for details.



HELPS DELIVER SMOOTH AND IMMEDIATE RESPONSE > HIGH-SPEED TURBO REDUCES NOISE AND VIBRATION >>

FIRING PRESSURE FOR STRONG, SMOOTH PERFORMANCE >

AND REDUCED EMISSIONS >

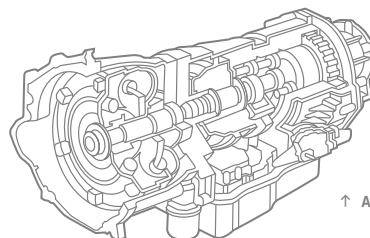
THE HEAVY-DUTY POWERTRAINS

For gasoline users, the standard Vortec 6.0L V-8 uses an advanced variable-valve-timing system to shape power curves to the job. With models that have less than a 10,000-lb GVWR,¹ it is tuned for excellent all-around performance. With models that have more than a 10,000-lb GVWR,² the engine is tuned for pulling power, resulting in a remarkable maximum Gross

Combined Weight Rating³ (GCWR) of 18,500 lbs.

Sierra 2500HD and 3500HD pickups with the standard Vortec 6.0L V-8 feature the Hydra-Matic 6-speed automatic transmission. It has two overdrive gears, which help it offer an excellent balance of performance and efficiency. Like the Allison, it has a variety

of advanced features, including driver-selectable Tow/Haul mode to reduce excessive shifting when towing or hauling a heavy load. Engine grade braking helps you maintain control on downhills.



TUNED TO MATCH ANTICIPATED WORKLOADS (>10,000-LB GVWR,¹ <10,000-LB GVWR²)

↑ ALLISON 1000 6-SPEED AUTOMATIC

↑ DURAMAX DIESEL 6.6L V-8 TURBO

2500HD GVWR
9200 LBS¹
REGULAR CAB LONG BOX

3500HD GVWR
9700 LBS¹
REGULAR CAB WITH
SINGLE REAR WHEELS

3500HD GVWR
11,400 LBS¹
REGULAR CAB WITH DUAL
REAR WHEELS

STRENGTH TO RESIST COMPROMISE

The renowned ability of the Sierra HD models to combine sheer capability with poise on the road, and admirable comfort for their occupants, rests on a frame that incorporates the full range of contemporary heavy-duty chassis design.

THE FRAME

The front frame section is hydroformed to increase structural rigidity by producing more consistent steel-wall thickness. The mid-frame section uses a lipped C-section, which is roll-formed and draw-bent during the manufacturing process for maximum strength.

STEERING AND BRAKES

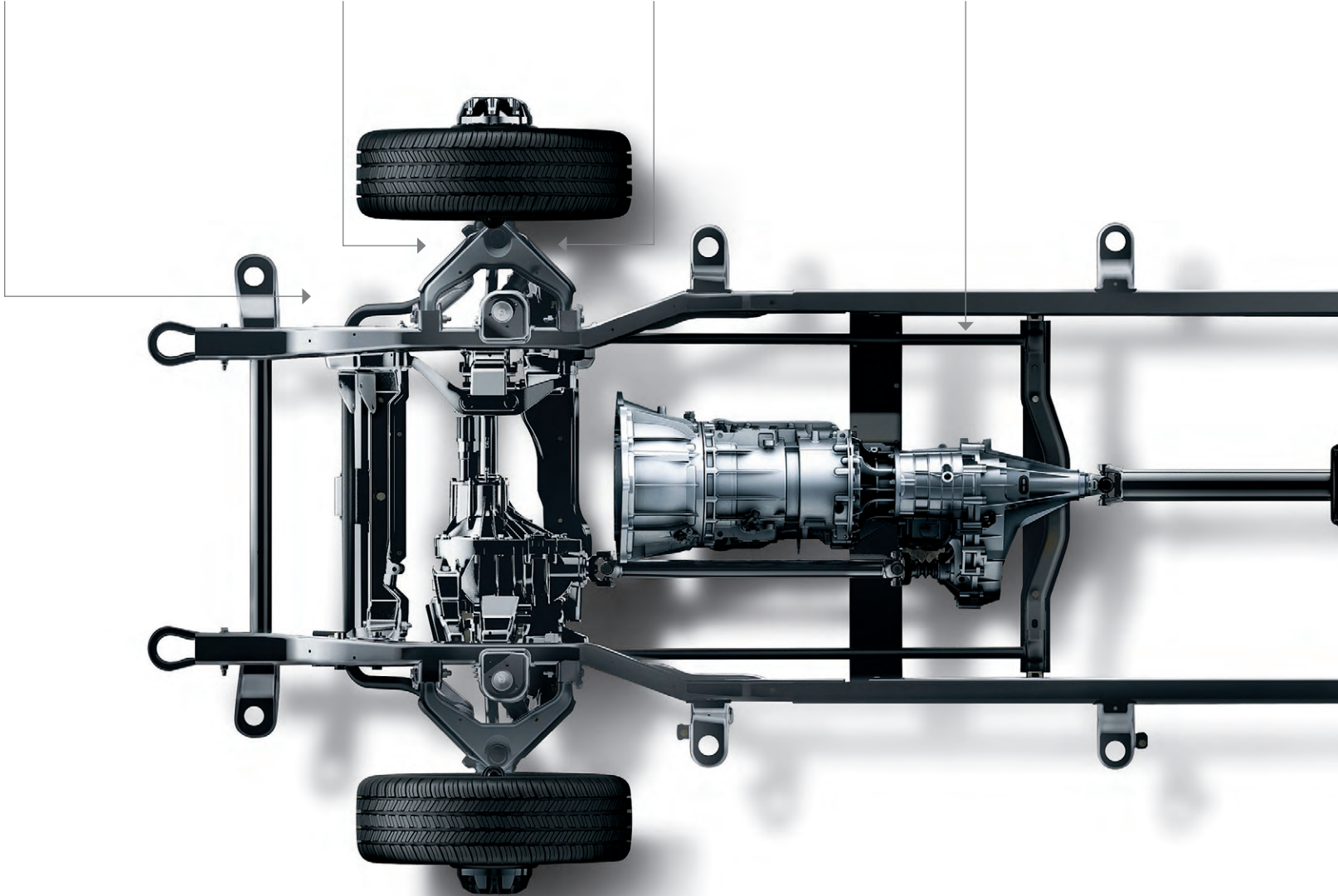
A robust recirculating-ball steering system features a cast-iron housing. With precise engineering, the system provides you with an enhanced on-center feel and a greater feeling of control. To accommodate the greater loads, Sierra HD models are equipped with disc brakes front and rear.

MASSIVE FRONT STABILIZER BAR

RECIRCULATING-BALL STEERING

A-ARM FRONT SUSPENSION MEMBERS

FRONT TORSION BARS



SUSPENSION

Front independent suspension with torsion bars allows high gross vehicle weight ratings and superb load-carrying capability. It also helps produce a smooth and comfortable ride. In the rear, semi-elliptical multileaf springs (two-stage on 2500HD, three-stage on 3500HD) and gas-charged shock absorbers help produce a smooth ride under loaded and unloaded conditions.

Z71 OFF-ROAD SUSPENSION PACKAGE

The legendary Z71 Off-Road Suspension Package for Sierra HD models (available with SLE or SLT trim, not available on Dual Rear-Wheel models) includes Z71 Off-Road Suspension (with a larger front stabilizer bar than 1500 models), the Eaton Automatic Locking Rear Differential and skid plates. (See page 09 for more details.)

LOCKING REAR DIFFERENTIAL

The available Eaton Automatic Locking Rear Differential is designed to improve traction at lower speeds. It engages when the speed difference between the rear tires reaches approximately 100 rpm. Once engaged, both rear wheels rotate at the same speed, providing more of the driveline's torque to the tire with better traction.

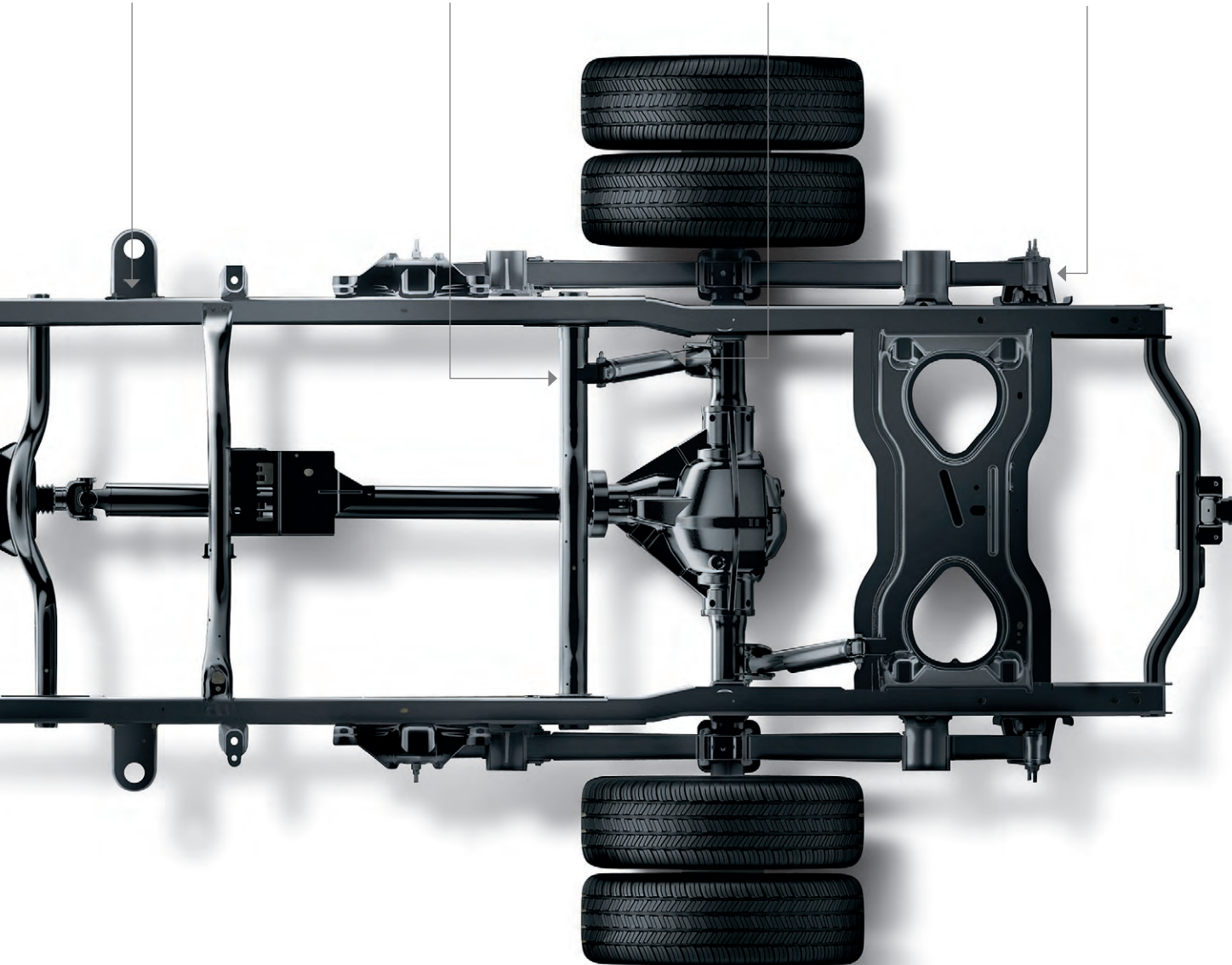


LIPPED C-SECTION MID-FRAME

ROBUST CROSS-MEMBERS

HEAVY-DUTY GAS-CHARGED TWIN-TUBE REAR SHOCKS (OFFSET)

TWO-STAGE REAR LEAF SPRINGS, 2500HD; THREE-STAGE, 3500HD >>



YOU'VE GOT PULL



14 _ LD/HD TRAILERING

SIERRA 3500HD CREW CAB WITH DUAL REAR WHEELS IN PURE SILVER METALLIC SHOWN WITH AVAILABLE EQUIPMENT

SIERRA 1500

MAXIMUM TRAILER RATINGS

10,700-LBS¹ 2WD EXTENDED CAB² AND
10,600-LBS¹ 2WD CREW CAB MODELS²

SIERRA 2500HD

MAXIMUM TRAILER RATINGS

WITH AVAILABLE DURAMAX DIESEL
15,800-LBS¹ 2WD REG. CAB LONG BOX
14,800-LBS¹ 2WD CREW CAB LONG BOX

SIERRA 3500HD

MAXIMUM TRAILER RATINGS

WITH AVAILABLE DURAMAX DIESEL
16,500-LBS¹ 4WD REG. CAB LONG BOX
16,200-LBS¹ 2WD CREW CAB DRW

Impressive trailering capabilities come standard with every Sierra 1500-series and heavy-duty pickup. Frames, suspension, engines and transmission are engineered to work together to get results. Every model can be equipped to handle a weight-distributing hitch and, for maximum capability, select models can be equipped with an available fifth-wheel or gooseneck hitch. For serious trailering with 1500 models, check out the available MAX Trailering Package (page 28). For the really big numbers, you

want Sierra 2500HD or 3500HD capability. On all Sierra models, the available trailer brake controller is completely integrated with the vehicle's electrical and ABS systems, allowing your trailer's brakes to operate simultaneously with the vehicle's brakes. The brake controller



switch is conveniently located on the lower left part of the instrument panel.



REARVIEW CAMERA SYSTEM

An available Rearview Camera System features a built-in camera mounted on the tailgate. When you shift into reverse, an image from the camera is displayed in a portion of the rearview mirror (so you can still see other objects in the mirror). Just the thing for backing up to a trailer. The mirror reverts to a normal full-frame reflection when you shift into drive or park. The available Touch-Screen-

Navigation³ System includes a rearview system that transmits the image to the NAV screen.



¹Maximum trailer weight ratings are calculated assuming a base vehicle, except for any option(s) necessary to achieve the rating, plus driver. The weight of other optional equipment, passengers and cargo will reduce the maximum trailer weight your vehicle can tow. See your GMC dealer for additional details. ²Requires MAX Trailering Package (includes Vortec 6.2L V-8). ³Map coverage for Puerto Rico and the Virgin Islands available on separate disc. Coverage not available for portions of Canada.

OPEN ARCHITECTURE

Sierra Extended Cab rear access doors open to 60 degrees, then 90 degrees, then further to a class-leading¹ 170 degrees (164 degrees on Dual Rear-Wheel models), for convenient cabin access. The comfortable 60/40 second-row seats (standard in Crew Cab, available in Extended Cab) fold up and tuck back against the cab wall so you can quickly and easily accommodate either passengers or cargo.²

¹Excludes other GM vehicles. ²Cargo and load capacity limited by weight and distribution.

SIERRA 2500HD EXTENDED CAB IN FIRE RED SHOWN WITH AVAILABLE EQUIPMENT







THE COMMANDING VIEW

With the highest V-8 half-ton horsepower and torque¹ under the hood, Sierra Denali continues the superlatives with our most luxurious appointments and our most advanced technology. Premium materials such as brushed metal accents throughout the cabin add a subtle sophistication. For your comfort, Nuance leather-appointed seating surfaces are standard, as are 12-way power adjustment and heated seat cushions and seatbacks for both the driver and the front passenger. Heated *and* cooled front seating surfaces are available and come with perforated leather-appointed seating.

New for 2010 and standard on Denali and SLT models are sound systems featuring an integrated USB port. The port recharges your iPod®/MP3 player while it plays audio from the device through your Sierra sound system. Your play lists and folders show up on the sound system display, and you can operate the device with the sound system controls, including those on the steering wheel. Bluetooth®² connectivity is also standard on Denali and SLT, allowing you to use your own Bluetooth phone for convenient in-vehicle hands-free operation. After a quick setup, the connection occurs automatically each time you enter the vehicle. Disconnecting is also automatic

BLUETOOTH® AND USB CONNECTIVITY


upon exiting the vehicle. Available on Sierra Denali as well as on SLE and SLT models, the DVD-based Touch-Screen Navigation³ system combines superb audio performance with mapping capabilities incorporating input from a variety of sources. Featuring a 6.5-inch diagonal display with touch-screen control and either 2-D or 3-D views, the system offers 3 trial months of real-time XM NavTraffic⁴ (see page 40) and it also integrates with OnStar Turn-by-Turn Navigation.⁵ Finally, if you order it with the Rearview Camera system mentioned on page 15, the camera image will be displayed on the NAV screen while the vehicle is in reverse.

STANDARD ON SLT AND SIERRA DENALI MODELS



SIERRA DENALI CREW CAB IN LIGHT CASHMERE SHOWN WITH AVAILABLE NAVIGATION RADIO AND OTHER AVAILABLE EQUIPMENT

¹Excludes other GM vehicles. ²Visit gm.com/bluetooth to find out which Bluetooth phones are compatible with the vehicle. ³Map coverage for Puerto Rico and the Virgin Islands available on separate disc. Coverage not available for portions of Canada. ⁴Required XM Radio and XM NavTraffic monthly subscriptions sold separately by XM after trial period. XM NavTraffic only available in select markets. For more information, visit xmradio.com/navtraffic. ⁵Requires ABS and OnStar Directions & Connections plan. Not available in certain areas. Visit onstar.com for map coverage.



PREFERRED SEATING, PREMIUM SOUND

BOSE® CENTERPOINT® SURROUND SOUND SYSTEM

Sierra Denali's Bose Centerpoint surround sound system delivers five independent audio channels from conventional stereo recordings, so you can enjoy a surround-sound listening experience from your existing CD collection. With digital amplification and six channels of customized equalization, music sounds full and

detailed, allowing you to approach live performance levels without it sounding distorted. And this is definitely a performance you want to share. With SurroundStage™ signal processing circuitry, the driver and all occupants feel as if they are right in the middle of the music. Of particular usefulness in a

vehicle engineered to serve — and to serve well — a variety of purposes, AudioPilot® noise compensation technology helps preserve the listening experience even as background noise levels change. Sierra Denali's acoustical insulation package helps provide a quiet, premium ride — and the perfect listening environment.



The Rear-Seat Entertainment Package¹ available on Sierra Denali and on SLT Crew Cabs includes a DVD player and an 8-inch diagonal flip-down screen. It also comes with Dual Play, which has

a separate, upper DVD slot in the dash, so people in front can control the DVD or music playing behind them while listening to their own music on CDs that load in the lower slot.

SIERRA DENALI CREW CAB IN LIGHT CASHMERE SHOWN WITH AVAILABLE EQUIPMENT

¹Requires available audio system with CD/DVD player or CD/DVD player and DVD-based Touch-Screen Navigation.



SLT

INTERIOR

Automatic dual-zone climate control is standard on SLT as well as on Denali. Other standard amenities on SLT models include Ultrasoft front leather-appointed seating, front buckets with 10-way power seat adjusters, steering-wheel-mounted audio controls, a Bose premium speaker system with a subwoofer mounted in the center

console, remote vehicle start system and an auto-dimming rearview mirror. A one-year OnStar Safe & Sound plan¹ is standard on most Sierra models. For more on OnStar, see page 40. XM Radio² is standard on all Sierra models except Work Truck, including 3 trial months of service. See page 40 for more on XM.

SIERRA 1500 CREW CAB SLT IN LIGHT TITANIUM SHOWN WITH AVAILABLE EQUIPMENT

¹Call 1-888-4ONSTAR (466-7827) or visit onstar.com for details and system limitations. ²XM Radio requires a subscription, sold separately by XM after the first 90 days. XM Radio U.S. service only available in the 48 contiguous United States and the District of Columbia. For more information, visit gm.xmradio.com.



SLE

INTERIOR

SIERRA 1500 CREW CAB SLE IN LIGHT TITANIUM SHOWN WITH AVAILABLE EQUIPMENT

From impressive fit and finish to a range of amenities, the interior of every Sierra model is designed for your comfort and convenience. The instrument panel is positioned low and forward for a remarkable

feeling of spaciousness. SLE's extensive list of standard features includes a convenient dual glove box (shown), lockable under-seat storage compartment, Autotrac transfer case (4WD only) and

a leather-wrapped steering wheel. Other standard features include rear-access-door power windows and a 60/40 folding rear bench seat on Extended or Crew Cab models.



PREMIUM CLOTH FRONT SPLIT-BENCH SEAT
Standard on SLE



AVAILABLE POWER SUNROOF
Select models



AVAILABLE POWER-SLIDING REAR WINDOW
Extended and Crew Cabs

STRONG WORK ETHIC

We engineered Sierra's cab and cargo bed for the working professional. The cargo box design is rugged and durable, with different length beds available to suit your needs. And we designed it for no-hassle loading and unloading. The available EZ-Lift Locking Tailgate features Torque Rod Assist to make raising the tailgate a one-handed operation.





SIERRA 1500 EXTENDED CAB SLE IN SUMMIT WHITE SHOWN WITH AVAILABLE DEALER-INSTALLED EQUIPMENT

5★

FRONTAL CRASH SAFETY

**2010 NHTSA 5-STAR
FRONTAL CRASH-TEST
RATING; HIGHEST
POSSIBLE¹**

**ONE-YEAR STANDARD
ONSTAR SAFE & SOUND PLAN²
(AVAILABLE ON WT TRIM)**

**FOUR-WHEEL ANTILOCK
BRAKE SYSTEM (ABS)**

ENGINEERING YOUR SAFETY

With its rugged frame, robust body structure, four-wheel anti-lock brakes and one-year OnStar service,² Sierra surrounds you with well-placed confidence. In fact, 2010 Sierra 1500 models received an NHTSA Five-Star Frontal Crash Safety Rating.¹ This is the highest possible government crash-test rating.

ONSTAR AUTOMATIC CRASH RESPONSE

In a crash, sensors around your vehicle can automatically send an alert to OnStar.² An OnStar Advisor can be immediately connected to your vehicle to see if you need help. Even if you're unable to respond, the Advisor will use advanced GPS technology to pinpoint your exact location to direct emergency help—even in areas of limited

cellular reception. The Advisor can also relay critical crash information to emergency responders such as severity and type of crash so the responders are better equipped to treat you at the scene. With Automatic Crash Response, you get the help you need even if you can't ask for it. Visit onstar.com for details.



DUAL-STAGE FRONTAL AIR BAGS³

Dual-stage front air bags on Sierra 1500 models feature sensors that gauge the severity of a crash and determine whether to deploy one or two levels of inflation, helping to reduce risk of injury to passengers. Sierra 1500 models also feature a Passenger Sensing System for the outboard front passenger, which automatically turns off the air bag if the passenger is under an appropriate weight.

SIDE-IMPACT AIR BAGS

For side impacts, 1500 models include standard air bags mounted on the driver and outside front passenger seat, which provide thorax and pelvic protection for outboard front-seat occupants. Head curtain side-impact air bags⁴ are also standard on 1500 models as well. They unfurl from the roof rail and function like a protective curtain for outboard passengers and can be activated by either rollover sensors or side-impact sensors.

STABILITRAK

If your Sierra is not responding adequately to your steering input, the StabiliTrak stability control system instantly adjusts engine speed and brake pressure to any individual wheel to help you keep on track. StabiliTrak and traction control are standard on select 2500HD models and on all 1500 models.

TIRE PRESSURE MONITORING SYSTEM

The standard Tire Pressure Monitoring System makes sure each tire is properly inflated for optimum handling and control, and warns you which tire is low via the Driver Information Center. (Does not monitor the spare tire; not available with Dual Rear-Wheel models.)



¹Government star ratings are part of the National Highway Traffic Safety Administration's (NHTSA's) New Car Assessment Program (www.safercar.gov). ²Optional on WT trim. Call 1-888-4ONSTAR (466-7827) or visit onstar.com for details and system limitations. OnStar acts as a link to existing emergency service providers. ³Air bag inflation can cause severe injury or death to anyone too close to the bag when it deploys. Be sure every occupant is properly restrained. Always use safety belts and the correct restraint for your child's age and size. Even in vehicles equipped with the Passenger Sensing System, children are safer when properly secured in a rear seat in the appropriate infant, child or booster seat. Never place a rear-facing infant restraint in the front seat of any vehicle equipped with a passenger air bag. See the Owner's Manual and child safety seat instructions for more safety information. ⁴Head curtain side air bags are designed to help reduce the risk of head and neck injuries to front- and rear-seat occupants on the near side of certain side-impact collisions.

TRIM LEVELS	WT	SL	SLE	SLT	DENALI
CONFIGURATIONS					
REGULAR CAB	•	—	•	—	—
EXTENDED CAB	•	•	•	•	—
CREW CAB	•	•	•	•	•
MECHANICAL 1500					
TRANSFER CASE On WT and SL models, floor-mounted shifter. Autotrac Electronic case on SLE and SLT with rotary dial controls (4WD models).	S	S	S	S	S
ALL-WHEEL DRIVE Electronic automatic system	—	—	—	—	S
EATON HEAVY-DUTY AUTOMATIC LOCKING REAR DIFFERENTIAL	A	A	A	S	S
ALUMINIZED STAINLESS STEEL EXHAUST	S	S	S	S	S
BATTERY Heavy-duty maintenance-free with 600 cold-cranking amps, rundown protection and retained accessory power	S	S	S	S	S
FRAME Fully boxed to the spare tire area, with hydroformed front section	S	S	S	S	S
SUSPENSION					
Coil-over-shock independent front; semi-elliptical 2-stage multileaf springs rear	S	S	S	S	S
Solid Smooth Ride Suspension. On SL, requires Crew Cab models.	S	S	—	—	—
Heavy-Duty Handling/Trailer Package. On SL Crew Cab models, requires Trailing Package. Standard on SL Extended Cab models.	A	P	S	S	—
Z71 Off-Road Suspension Package. Includes off-road jounce bumpers, high-capacity air cleaner, Skid Plate Package and Z71 decals on rear quarters.	—	—	A	A	—
High-Performance Suspension Package. Included with 20" chrome-clad aluminum wheels.	—	—	A	A	S
BRAKES					
Front disc/rear drum with 4-wheel antilock	S	S	S	S	—
4-wheel disc with 4-wheel antilock	—	—	A	A	S
STABILITRAK STABILITY CONTROL SYSTEM					
	S	S	S	S	S
TRAILERING					
Heavy-Duty Trailing Package. Includes trailing hitch platform and 2" receiver, 7-wire harness with independent fused trailing circuits mated to a 7-way sealed connector, wiring harness for aftermarket trailer brake controller (located in the instrument panel harness), single wire for center high-mounted stop lamp, heavy-duty automatic locking rear differential and external transmission oil cooler.	A	A	A	S	S
Integrated Trailer Brake Controller. Not available with Vortec 4.3L V-6. Requires Heavy-Duty Trailing Package.	A	A	A	A	A
MAX Trailing Package. Includes Vortec 6.2L V-8, heavy-duty automatic locking rear differential, Handling/Trailing Suspension Package, 9.5" hybrid rear axle, 3.73 rear axle ratio, front and rear disc brakes, Trailing Package, fog lamps and 17" polished aluminum wheels.	—	—	A	A	—
POWER PACK PLUS PACKAGE Includes Vortec 5.3L V-8 FlexFuel, heavy-duty automatic locking rear differential, Heavy-Duty Trailing Package and 17" polished aluminum wheels	—	—	A	—	—

	WT	SL	SLE	SLT	DENALI
SKID PLATE PACKAGE Frame-mounted shields, includes front underbody shield starting behind front bumper and running to first cross-member	A	A	A	A	S
SNOW PLOW PREP PACKAGE Includes 10-amp power for backup and roof emergency light, 160-amp alternator, high-flow front bumper, forward lamp wiring harness, provision for cab roof-mounted lamp/beacon, instrument panel jumper wiring harness for electric trailer brake controller, high-capacity air cleaner, auxiliary external transmission oil cooler and Skid Plate Package	A	—	A	—	—
HEAVY-DUTY COOLING PACKAGE Includes external engine oil cooler, auxiliary external transmission oil cooler, electric fan and heavy-duty radiator. Only available with 6-speed transmission.	A	—	A	S	S
AUXILIARY EXTERNAL TRANSMISSION OIL COOLER Heavy-duty air-to-oil. On WT models, requires Trailing Package and Snow Plow Prep Package or Heavy-Duty Cooling Package. On SL Crew and SLE models, requires Trailing Package, Snow Plow Prep Package and 6-speed automatic transmission.	A	A	A	S	S
EXTERNAL ENGINE OIL COOLER Heavy-duty air-to-oil. Integral to driver side of radiator tank. On WT models, requires Trailing Package or Heavy-Duty Cooling Package. On SLE models, requires Trailing Package.	A	—	A	S	S
ENGINE BLOCK HEATER	A	A	A	A	A
MECHANICAL 2500HD / 3500HD					
TRANSFER CASE					
With floor-mounted shifter (4WD models)	S	—	—	—	—
Electronic shift with rotary dial controls (4WD models)	—	—	S	S	—
EATON HEAVY-DUTY AUTOMATIC LOCKING REAR DIFFERENTIAL Included with Z71 Off-Road Suspension Package on 2500HD SLE models. Standard on 3500HD 2WD Regular Cab Long Box models; standard with 9700-lb GVWR (single rear wheel) and 9900-lb GVWR (single rear wheel).	A	—	A	S	—
EXHAUST Aluminized stainless steel	S	—	S	S	—
ALTERNATOR					
125-amp	S	—	S	S	—
160-amp. Included with Snow Plow Prep Package when Vortec 6.0L V-8 is ordered. Requires Vortec 6.0L V-8.	A	—	A	A	—
Dual, 125 amps each. Included with Snow Plow Prep Package when Duramax Diesel is ordered on 2500HD models and 3500HD Regular Cab models only. Requires Duramax Diesel.	A	—	A	A	—
BATTERY					
Heavy-duty, maintenance-free with 600 cold-cranking amps, rundown protection and retained accessory power	S	—	S	S	—
Auxiliary heavy-duty, maintenance-free with 600 cold-cranking amps. Not available with Duramax Diesel.	A	—	A	A	—
Heavy-duty, maintenance-free with 730 cold-cranking amps, with rundown protection and retained accessory power. Requires Duramax Diesel.	A	—	A	A	—
REAR AXLE					
3.73 ratio	S	—	S	S	—
4.10 ratio. Requires Vortec 6.0L V-8.	A	—	A	A	—

TRIM LEVELS

WT
SL
SLE
SLT
DENALI

MECHANICAL 2500HD/3500HD CONT'D

SUSPENSION

Front independent with torsion bar; rear 2-stage leaf springs on 2500HD models, 3-stage on 3500HD models S S S

Heavy-Duty Handling/Trailer Suspension Package S S S

Z71 Off-Road Suspension Package. Includes off-road jounce bumpers, Skid Plate Package and Z71 decals on rear quarters. — A A

HYDROFORMED FRAME S S S

STEERING Power, recirculating ball S S S

BRAKES 4-wheel antilock, 4-wheel disc S S S

STABILITRAK Stability control system with proactive roll avoidance. Requires 2500HD Extended Cab and Crew Cab Standard Box models. S S S

TRAILERING

Heavy-Duty Trailering Package. Includes trailering hitch platform and 2.5" receiver with 2" adapter, 7-wire harness with independent fused trailering circuits mated to a 7-way sealed connector, wiring harness for aftermarket trailer brake controller (located in the instrument panel harness) and single wire for center high-mounted stop lamp. A A S

Integrated brake controller with wideside pickup box A A S

Trailering wiring provisions for camper, fifth-wheel and gooseneck trailers; includes additional 8-way wiring harness routed to front of pickup box. Requires Trailering Package. P P P

SKID PLATE PACKAGE Frame-mounted shields, includes front underbody shield starting behind front bumper and running to first cross-member, protecting front underbody, oil pan, differential case and transfer case A A A

SNOW PLOW PREP PACKAGE Includes 10-amp power for back-up and roof emergency light, 160-amp alternator, high-flow front bumper, forward lamp wiring harness, provision for cab roof-mounted lamp/beacon, instrument panel jumper wiring harness for electric trailer brake controller, high-capacity air cleaner, auxiliary external transmission oil cooler and Skid Plate Package A A —

HIGH-CAPACITY AIR CLEANER S S S

AUXILIARY TRANSMISSION OIL COOLER External heavy-duty air-to-oil S S S

HEAVY-DUTY AIR-TO-OIL EXTERNAL ENGINE OIL COOLER Integral to driver side of radiator tank S S S

ENGINE BLOCK HEATER A A A

RADIATOR GRILLE AND FRONT BUMPER OPENINGS For cold weather. Requires Duramax Diesel. A A A

HIGH IDLE SWITCH On WT models, requires cruise control A A A

SEATING

SEAT TRIM

Dark Titanium vinyl with Graphite-colored rubberized vinyl floor covering S — — — —

Dark Titanium cloth A S — — —

Premium cloth — — S — —

Front leather-appointed seating. Includes 6-way power driver seat adjuster. Not available on Regular Cab SLE models. — — A S —

Front leather-appointed seating, Nuance — — — — S

WT
SL
SLE
SLT
DENALI

SEATS

40/20/40 front split-bench with driver and front-passenger manual recline and center fold-down armrest with storage S S — — —

40/20/40 front split-bench with driver and front-passenger manual recline and center fold-down armrest and lockable storage compartment in seat cushion (includes auxiliary power outlet) — — S — —

Front buckets with 6-way power seat adjusters, manual recline, manual lumbar and adjustable head restraints. Requires Extended or Crew Cab models. — — A — —

Front buckets with 10-way power seat adjusters (SLT) or 12-way (Denali) including 2-way power lumbar control, heated seat cushions and seatbacks, 2-position driver memory (does not apply to lumbar adjuster on SLT) and adjustable head restraints — — — S S

Heated and cooled seats for driver and front passenger. Includes 12-way power seat adjusters and perforated leather seating surfaces. — — — — A

Driver-side manual seat adjuster with lumbar control. On WT models, included and only available with cloth seat trim. A S S — —

Folding rear bench, full width. Extended Cab models only. S — — — —

60/40 folding rear bench. WT and SL require Crew Cab models. SLE requires Extended or Crew Cab models. S S S S S

INSTRUMENTATION AND CONTROLS

INSTRUMENTATION

Analog cluster with speedometer, fuel level, engine temperature and tachometer; 1500 SLE, SLT, Denali and all 2500HD and 3500HD models include voltmeter and oil pressure indicators S S S S S

Driver Information Center with odometer, trip odometer and message center. On SLE, SLT and Denali models, includes compass and outside temperature. S S S S S

REARVIEW CAMERA SYSTEM With inside rearview mirror display; if Touch-Screen Navigation¹ is ordered, camera display is on NAV screen (also available on Sierra Hybrid) — — P P A

ULTRASONIC REAR PARKING ASSIST With audible warning. Requires Extended or Crew Cab models. — — P P S

STEERING WHEEL

Tilt-Wheel adjustable steering column with brake/transmission shift interlock S S S S S

Leather-wrapped (color-keyed on Denali). On WT and SL models, requires Bluetooth^{®2} A A S S S

Steering-wheel-mounted audio controls. On WT and SL models, requires Bluetooth.² A A P S S

CRUISE CONTROL P S S S S

POWER-ADJUSTABLE PEDALS — — P P S

INTERIOR DETAILS

REARVIEW MIRROR

With manual day/night adjustment S S S — —

Auto-dimming — — P S S

FLOOR COVERING Rubberized vinyl S A A — —

¹Map coverage for Puerto Rico and the Virgin Islands available on separate disc. Coverage not available for portions of Canada. ²Go to gm.com/bluetooth to find out which Bluetooth phones are compatible with the vehicle.

TRIM LEVELS	WT	SL	SLE	SLT	DENALI
-------------	----	----	-----	-----	--------

INTERIOR DETAILS CONT'D**CARPETING**

Color-keyed with rubberized vinyl floor mats. Extended and Crew Cab models also include rear floor mats; WT models require cloth seat trim. A S S S —

Color-keyed with removable carpeted floor mats for first and second row. — — — — S

CLIMATE CONTROL

Single-zone manual air conditioning S S S — —

Dual-zone automatic air conditioning with individual settings for driver and right-front passenger; not available with Regular Cab models. — — P S S

Defogger. Rear window. Not available with power-sliding rear window. A A A S S

WINDOWS

Power with driver express-down. SLT models include front passenger express-down. — S S S S

Rear-access-door, power. Requires Extended Cab models. — — S S —

Rear, power-sliding. Not available with Regular Cab models or with rear-window defogger. — — A A A

SUNROOF Power with express-open. Includes Universal Home Remote. — — A A A

OPTION PACKAGES**1500 SERIES**

WORK TRUCK PREFERRED PACKAGE Includes cruise control, remote keyless entry, power door locks and Solar-Ray deep-tinted glass. Requires Regular or Extended Cab models. A — — — —

WORK TRUCK PLUS PACKAGE Includes 17" chrome-styled steel wheels, chrome surround grille and fog lamps. Requires 1500 Regular or Extended Cab models. On 2WD models, also includes front frame-mounted recovery hooks. A — — — —

SLE CONVENIENCE PACKAGE Includes adjustable power pedals, Universal Home Remote, remote vehicle starter system, Ultrasonic Rear Parking Assist and rear-window defogger. — — A — —

SLE PREFERRED PACKAGE REGULAR CAB Includes remote vehicle starter system, steering-wheel-mounted controls, Bluetooth¹ for your cell phone, AM/FM stereo with CD player and MP3 playback, fog lamps, EZ-Lift locking tailgate and 17" polished aluminum wheels. — — A — —

SLE PREFERRED PACKAGE EXTENDED OR CREW CAB Includes steering-wheel-mounted controls, dual-zone automatic air conditioning, 6-way power driver seat adjuster, Bluetooth¹ for your cell phone, AM/FM stereo with CD player and MP3 playback, fog lamps and EZ-Lift locking tailgate. — — A — —

ALL-TERRAIN PACKAGE Refer to content on pages 08-09. — — A A —

2500HD/3500HD SERIES

WORK TRUCK PREFERRED PACKAGE Includes cruise control, Solar-Ray deep-tinted glass and fog lamps. On 2500 models, includes 16" chrome-styled steel wheels. On Regular and Extended Cab models, includes power door locks and Remote Keyless Entry. A — — — —

SLE PREFERRED PACKAGE REGULAR CAB Includes remote vehicle starter system, steering-wheel-mounted controls, Bluetooth¹ for your cell phone, fog lamps and EZ-Lift locking tailgate. — — A — —

A _ AVAILABLE S _ STANDARD — _ NOT AVAILABLE P _ PACKAGE

WT	SL	SLE	SLT	DENALI
----	----	-----	-----	--------

SLE PREFERRED PACKAGE EXTENDED OR CREW CAB Includes steering-wheel-mounted controls, dual-zone automatic air conditioning, 6-way power driver seat adjuster, Bluetooth¹ for your cell phone, fog lamps and EZ-Lift locking tailgate. — — A — —

SLE CONVENIENCE PACKAGE Includes power-adjustable pedals, Universal Home Remote, remote vehicle starter system, rear-window defogger and Ultrasonic Rear Parking Assist. Auto-dimming inside mirrors and heated power-folding outside mirrors included with select models. — — A — —

1500/2500HD/3500HD SERIES

SLT CONVENIENCE PACKAGE Includes Universal Home Remote, power-adjustable pedals, EZ-Lift locking tailgate and Ultrasonic Rear Parking Assist. — — — A —

ENTERTAINMENT/COMMUNICATION/NAVIGATION**AM/FM STEREO**

With MP3-compatible CD player A S S — —

With CD player, MP3 playback and USB port. On SLE models, requires SLE Preferred Package. A — P S —

With MP3-compatible 6-disc in-dash CD changer — — A A S

With MP3-compatible CD/DVD player. On SLT, requires Crew Cab models. On Denali models, requires Rear-Seat Entertainment Package. — — — A A

TOUCH-SCREEN NAVIGATION² AM/FM stereo with MP3-compatible CD player and DVD-based navigation with voice prompts, includes Bose[®] premium speaker system and 3 trial months of XM Radio³ with XM NavTraffic.⁴ On SLE models, requires front bucket seats. — — A A A

TOUCH-SCREEN NAVIGATION² WITH REAR-SEAT ENTERTAINMENT PACKAGE AM/FM stereo with MP3-compatible CD/DVD player and navigation, includes 3 trial months of XM Radio³ with XM NavTraffic.⁴ Requires Crew Cab models and Entertainment Package. — — — A A

BOSE AUDIO

Premium speaker system. On SLE models, requires front bucket seats. — — A S S

Centerpoint Surround Sound System — — — — S

REAR-SEAT ENTERTAINMENT PACKAGE Rear-seat DVD player with LCD display and 2 sets of wireless headphones. Includes rear audio controls. Requires Crew Cab models. On SLT models, includes AM/FM stereo with MP3-compatible CD/DVD player. On Denali models, requires AM/FM stereo with MP3-compatible CD/DVD player or AM/FM stereo with MP3-compatible CD/DVD player and DVD-based navigation. — — — A A

XM RADIO³ Including 3 trial months of service. See page 40 for details. A S S S S

XM NAVTRAFFIC⁴ Including 3 trial months of service and only available with Touch-Screen Navigation.² See page 40 for details. — — A A A

BLUETOOTH FOR PHONE¹ Personal cell phone connectivity to vehicle audio system allowing hands-free calling. A A P S S

ONSTAR

Safe & Sound plan.⁵ One-year subscription. See page 40 for details. A S S S S

Directions & Connections plan.⁵ One-year subscription. See page 40 for details. A A A A S

SEE DEALER FOR AVAILABILITY, INCLUSIONS AND EXCLUSIONS.

TRIM LEVELS

WT SL SLE SLT DENALI

CONVENIENCE FEATURES

POWER DOOR LOCKS With remote keyless entry (2 transmitters, panic button and content theft alarm). Standard on WT Crew Cab models. Included with Work Truck Preferred Package. A S S S S

REMOTE START With remote keyless entry. Remote keyless entry does not lock/unlock tailgate. — — P S S

UNIVERSAL HOME REMOTE — — P P S

EXTERIOR STYLING AND FUNCTIONALITY

LIGHTS

Halogen front fog lamps P — P S S

Dual cargo area lamps S S S S S

GLASS Solar-Ray deep tinted A S S S S

WIPERS Wet-arm front intermittent S S S S S

BUMPERS

Chrome. On WT models, includes black bumper top caps. On SL, SLE and SLT models, includes body-color bumper top caps. S S S S —

Front, body-colored — — — — S

Rear, chrome step-style with pad S S S S —

Rear, body-colored — — — — S

GRILLE SURROUND

Black. 1500 WT only. S — — — —

Chrome. Included and only available with SL Package on WT models. On Denali models, includes chrome center. P S S S S

BODYSIDE MOLDINGS Body-colored. Chrome insert on Denali models. — S S S S

DOOR HANDLES Chrome — — — — S

RECOVERY HOOKS Front, frame-mounted; standard on 1500 4WD, Denali and all 2500HD models. Available on 1500 2WD WT, SL and SLE models. Not available on Sierra Hybrid 2WD models. Included on 2WD models with Z71 suspension. A A A A S

EZ-LIFT LOCKING TAILGATE Includes tailgate lock — — P P S

TIRE CARRIER Outside spare, winch-type S S S S S

FRONT LICENSE PLATE BRACKET Included in all states that require a front license plate A A A A A

WT SL SLE SLT DENALI

OUTSIDE MIRRORS

Manual-folding, black S — — — —

Heated power-adjustable, manual-folding, black. Standard on 11,400-lb GVWR (dual rear wheel) 3500HD SLT models. — S S S —

Heated power-adjustable/power-folding. With integrated turn signal indicators and driver-side auto-dimming; body-color. SLT models include curb tilt. On 3500HD SLT models, not available with 11,400-lb GVWR. — — P S S

VERTICAL CAMPER

Manual-folding with lower convex spotter glass. See dealer for availability. A — — — —

Heated, power-adjustable with integrated turn signal indicators; manual-folding/extension; black (convex glass is not heated or power adjustable). SLE models require inside rearview auto-dimming mirror. — — A A —

SAFETY

AIR BAGS⁶

Frontal. On 1500 models, standard with right-front Passenger Sensing System. On 2500HD and 3500HD models, standard with front driver and passenger single-stage air bag. S S S S S

Head curtain, front and rear, side-impact. Front only on Regular Cab models. 1500 models only. S S S S S

Seat-mounted, thorax and pelvic, side-impact for driver and outboard front-passenger. 1500 models only. S S S S S

TIRE PRESSURE MONITORING SYSTEM (Does not monitor spare tire). Not available on 3500HD DRW. S S S S S

DAYTIME RUNNING LAMPS With automatic lamp control S S S S S

¹Go to gm.com/bluetooth to find out which Bluetooth phones are compatible with the vehicle.

²Map coverage for Puerto Rico and the Virgin Islands available on separate disc. Coverage not available for portions of Canada.

³XM Radio requires a subscription, sold separately by XM after the first 90 days. XM Radio U.S. service only available in the 48 contiguous United States and the District of Columbia. For more information, visit gm.xmradio.com.

⁴Required XM Radio and NavTraffic monthly subscriptions sold separately by XM after trial period. XM NavTraffic only available in select markets. For more information, visit xmradio.com/navtraffic.

⁵Visit onstar.com or call 1-888-4ONSTAR (466-7827) for details and system limitations.

⁶Always use safety belts and the correct restraint for your child's age and size. Even in vehicles equipped with the Passenger Sensing System, children are safer when properly secured in a rear seat in the appropriate infant, child or booster seat. Never place a rear-facing infant restraint in the front seat of any vehicle equipped with a passenger air bag. See the Owner's Manual and child safety seat instructions for more safety information.

SIERRA XFE EXCLUSIVE FEATURES AND ENGINE SPECIFICATIONS

Includes SLE standard content with the following changes/requirements:

ALUMINUM BLOCK Vortec 5.3L V-8 VVT FlexFuel

AUTOMATIC TRANSMISSION 6-speed with heavy-duty cooling

REAR AXLE 3.08 ratio

ALUMINUM WHEELS N88 17"

LOW ROLLING-RESISTANCE TIRES

ALUMINUM LOWER CONTROL ARMS AND SPARE WHEEL

TONNEAU COVER Soft

EXTENDED AIR DAM AND OTHER AERO IMPROVEMENTS

EATON HEAVY-DUTY AUTOMATIC LOCKING REAR DIFFERENTIAL

HEAVY-DUTY TRAILERING PACKAGE

FUEL ECONOMY

EPA-estimated mpg	15 city/22 hwy.
Max. Trailering ¹	7000 lbs
Max. Payload ²	1650 lbs
GVWR ³	6700 lbs
GCWR ⁴	12,200 lbs

MOST 1500 SLE CREW CAB OPTIONS ARE AVAILABLE ON THE SIERRA XFE EXCEPT FOR:

20" WHEELS

ALL-TERRAIN PACKAGE

MAX TRAILERING PACKAGE

Z71 OFF-ROAD SUSPENSION PACKAGE

POWER PACK PLUS PACKAGE

SIERRA/1500 WHEELS⁵



NX7
 □ 17"
 □ PAINTED STEEL
 □ STANDARD: WT TRIM



PY9
 □ 17"
 □ CHROME-STYLED STEEL
 □ STANDARD: SLE TRIM AND SL CREW CAB
 □ AVAILABLE: WT REGULAR OR EXT CAB



N88
 □ 17"
 □ POLISHED ALUMINUM SPORT
 □ STANDARD: XFE
 □ AVAILABLE: SLE AND SLT W/MAX TRAILERING PACKAGE



P41
 □ 20"
 □ CHROMED ALUMINUM
 □ STANDARD: SIERRA DENALI



R08
 □ 18"
 □ CHROME-CLAD ALUMINUM
 □ STANDARD: SLT AND HYBRID



S84
 □ 20"
 □ CHROME-CLAD ALUMINUM
 □ AVAILABLE: SLE AND SLT



RZF
 □ 18"
 □ CHROME-CLAD ALUMINUM
 □ STANDARD: ALL-TERRAIN PACKAGE

SIERRA HEAVY-DUTY/2500HD WHEELS⁵



QB5
 □ 16" WITH 8 LUGS
 □ PAINTED STEEL
 □ STANDARD: WT TRIM



PY2
 □ 16" WITH 8 LUGS
 □ CHROME-STYLED STEEL, CHROME CENTER CAP
 □ STANDARD: SLE TRIM
 □ AVAILABLE: WT TRIM



PY0
 □ 16" WITH 8 LUGS
 □ FORGED ALUMINUM, CHROME CENTER CAP
 □ AVAILABLE: SLE TRIM



N89
 □ 17" WITH 8 LUGS
 □ BRIGHT MACHINED-ALUMINUM
 □ STANDARD: SLT TRIM
 □ AVAILABLE: 2500HD / SLE

SIERRA /2500HD AND 3500HD SRW⁵

SIERRA HEAVY-DUTY/3500HD SRW⁵



QC1
 □ 16" WITH 8 LUGS
 □ PAINTED STEEL
 □ ARGENT CENTER CAP WITH WT TRIM; CHROME WITH SLE
 □ STANDARD: WT AND SLE TRIM LEVELS



NZ7
 □ 16" WITH 8 LUGS
 □ CHROME-CLAD STEEL
 □ AVAILABLE: SLE TRIM

SIERRA HEAVY-DUTY/3500HD DRW⁵



QR5
 □ 17" WITH 8 LUGS
 □ PAINTED STEEL
 □ STANDARD: WT TRIM



Q9A
 □ 17" WITH 8 LUGS
 □ STEEL, WITH CHROME TRIM SKINS AND CENTER CAP
 □ STANDARD: SLE AND SLT TRIM

FEATURES AND ENGINE SPECIFICATIONS/SIERRA HYBRID

INCLUDES THE FOLLOWING FEATURES AS ENHANCEMENTS TO, OR IN PLACE OF, CORRESPONDING 1500 SLE CREW CAB TRIM FEATURES.

TRIM LEVELS	3HA	3HB
SIERRA HYBRID MECHANICAL		
VORTEC 6.0L V-8 VVT HYBRID With Active Fuel Management (AFM), hybrid two-mode Electronically Variable Transmission (EVT) and 300-volt DC battery pack	S	S
AUXILIARY POWER MODULE (APM) To convert 300-volt battery power to 12-volt	S	S
HYBRID-SPECIFIC COOLING DESIGN Includes a separate powertrain electronics coolant circuit to keep the high-voltage hybrid content cool	S	S
COMBINATION TRANSMISSION COOLER Increases transmission cooling capacity	S	S
EATON G80 HEAVY-DUTY AUTOMATIC LOCKING REAR DIFFERENTIAL	S	S
3.08 AXLE RATIO For optimum highway fuel economy	S	S
HEAVY-DUTY TRAILERING EQUIPMENT	S	S
4-WHEEL DISC BRAKES With 4-wheel Antilock Brake System (ABS)	S	S
REGENERATIVE BRAKING SYSTEM Uses hybrid motors in the transmission acting as generators to decelerate the vehicle, while capturing energy for the 300-volt battery pack	S	S
ELECTRIC POWER RACK-AND-PINION STEERING (EPS) For improved fuel economy (see chart at left) and on-center feel	S	S
EXTERIOR		
EZ-LIFT LOCKING TAILGATE	S	S
18" CHROME-CLAD ALUMINUM WHEELS	S	S
FULL-FEATURE POWER-ADJUSTING EXTERIOR SIDE MIRRORS Body-color	—	S
FOG LAMPS	—	S
REAR-WINDOW DEFOGGER	—	S
TONNEAU COVER 1-piece soft cover	S	—
3-piece hard cover	—	S
ULTRASONIC REAR PARKING ASSIST	—	S
INTERIOR		
40/20/40 SPLIT-BENCH FRONT SEATS Premium cloth seat trim with manual recline with outboard head restraints and center fold-down armrest with storage	S	—
LEATHER-APPOINTED FRONT BUCKET SEATS With driver and passenger 6-way power adjusters	—	S
FOLDING REAR BENCH Full width	S	S
AUTO-DIMMING INSIDE REARVIEW MIRROR	—	S
POWER-ADJUSTABLE PEDALS	—	S
UNIQUE HVAC SYSTEM Features a 300-volt electric air conditioning compressor and electric heater coolant pump. Compressor and pump use no belts, operate even when engine is in Autostop and operate as needed.	S	S
SPECIALLY DESIGNED INSTRUMENTATION Features Autostop/Off indicators and economy gauge	S	S
DRIVER INFORMATION CENTER (DIC) Includes messages for Hybrid System status	S	S

	3HA	3HB
BOSE AUDIO AND REAR-SEAT AUDIO	—	S
TOUCH-SCREEN NAVIGATION⁶ With unique hybrid power flow display	—	S
BATTERY BEAUTY COVER Provides a flat load floor and inhibits access to the battery	S	S
3-PASSENGER FULL-WIDTH REAR BENCH SEAT	S	S
DUAL-ZONE AUTOMATIC AIR CONDITIONING	S	S
BLUETOOTH FOR PHONE⁷	S	S

SAFETY

FRONT AND REAR HEAD CURTAIN SIDE-IMPACT AIR BAGS⁸	S	S
SIDE-IMPACT AIR BAGS⁸ FOR THORAX AND PELVIC PROTECTION FOR OUTBOARD FRONT-SEAT PASSENGERS	S	S

ENGINE SPECIFICATIONS

VORTEC 6.0L V-8 VVT HYBRID		
HP @ RPM		332 @ 5100
LB-FT TORQUE @ RPM		367 @ 4100

ACTIVE FUEL MANAGEMENT

TRAILER RATING¹

2WD	6100 lbs
4WD	5900 lbs

MAX PAYLOAD RATINGS²

2WD	1511 lbs
4WD	1473 lbs

FUEL ECONOMY

2WD (EPA-est. mpg)	21 city / 22 hwy.
4WD (EPA-est. mpg)	21 city / 22 hwy.

A _ AVAILABLE S _ STANDARD — _ NOT AVAILABLE

¹Maximum trailer weight ratings are calculated assuming a base vehicle, except for any option(s) necessary to achieve the rating, plus driver. The weight of other optional equipment, passengers and cargo will reduce the maximum trailer weight your vehicle can tow. See your GMC dealer for additional details.

²Maximum payload capacity includes weight of driver, passengers, optional equipment and cargo.

³When properly equipped; includes weight of vehicle, passengers, cargo and equipment.

⁴When properly equipped; includes weight of the vehicle and trailer combination, including the weight of the driver, passengers, fuel, optional equipment and cargo in the vehicle and trailer.

⁵Use only GM-approved tire and wheel combinations. For approved tire and wheel combinations and other important information, go to gmaccessorieszone.com or see your dealer for details.

⁶Map coverage for Puerto Rico and the Virgin Islands available on separate disc. Coverage not available for portions of Canada.

⁷Go to gm.com/bluetooth to find out which Bluetooth phones are compatible with the vehicle.

⁸Always use safety belts and the correct restraint for your child's age and size. Even in vehicles equipped with the Passenger Sensing System, children are safer when properly secured in a rear seat in the appropriate infant, child or booster seat. Never place a rear-facing infant restraint in the front seat of any vehicle equipped with a passenger air bag. See the Owner's Manual and child safety seat instructions for more safety information.

SIERRA AVAILABLE FEATURES



REAR-SEAT ENTERTAINMENT SYSTEM
An 8" diagonal LCD screen drops down from the headliner behind the front row. Audio is through wireless headphones or speaker system.



TOUCH-SCREEN NAVIGATION⁶
Select either 2-D or 3-D map views of your route, and listen to verbal directions in your choice of English, Spanish or French.

SPECIFICATIONS/1500/DENALI

ENGINES

	VORTEC 4.3L V-6 (LU3)	VORTEC 4.8L V-8 VVT FlexFuel (L20)	VORTEC 5.3L V-8 VVT AFM/FlexFuel Iron Block (LMG)	VORTEC 5.3L V-8 VVT AFM/FlexFuel Aluminum Block (LC9)	VORTEC 6.2L V-8 VVT FlexFuel (L9H)
CAPACITY	4.3 liters (262 cu. in.)	4.8 liters (293 cu. in.)	5.3 liters (325 cu. in.)	5.3 liters (325 cu. in.)	6.2 liters (376 cu. in.)
SAE NET HORSEPOWER @ RPM	195 @ 4600	302 @ 5600	326 @ 5300 100% E85 315 @ 5200 gasoline or gasoline/E85 mix	326 @ 5300 100% E85 315 @ 5200 gasoline or gasoline/E85 mix	403 @ 5700
SAE NET TORQUE @ RPM (LB-FT)	260 @ 2800	305 @ 4600	348 @ 4400 100% E85 335 @ 4000 gasoline or gasoline/E85 mix	348 @ 4400 100% E85 335 @ 4000 gasoline or gasoline/E85 mix	417 @ 4300
ENGINE/MODEL AVAILABILITY					
Regular Cab, Standard Box	S	A	A	—	—
Regular Cab, Long Box	S	A	A	—	—
Extended Cab, Standard Box	S (2WD)	S (4WD)	A (2WD)	A (4WD)	—
Extended Cab, Long Box	—	—	A	—	—
Crew Cab, Short Box	—	S	A (2WD)	A (4WD) / S on XFE	A
Crew Cab, Short Box (Denali)	—	—	—	—	S

TRANSMISSIONS: 1500: Electronic 4-speed automatic with overdrive and Tow/Haul mode is standard on 4.3L V-6, 4.8L V-8. Electronically controlled 6-speed automatic transmission with overdrive and Tow/Haul mode included and only available on 5.3L V-8, 6.2L V-8. Denali: Electronically controlled 6-speed automatic transmission with overdrive and Tow/Haul mode.

STANDARD TECHNICAL DATA

	1500/2WD	1500/4WD	DENALI
Series/Drive Type			
BRAKES	Front disc/rear drum	Front disc/rear drum	4-wheel disc
STEERING	Power rack-and-pinion		
FUEL TANK CAPACITY (APPROX GALS.: SHORT/STANDARD/LONG BOX)	26.0/26.0/34.0	26.0/26.0/34.0	26.0
ALTERNATOR (AMPS)	145	145	145
GVWR¹ (Gross Vehicle Weight Rating)			
Regular Cab (lbs)	6400	6400-6800	—
Extended Cab (lbs)	6400-7000	7000-7200	—
Crew Cab (lbs)	6800-7100	7000-7300	6800/7000 (2WD/AWD)

CARGO DIMENSIONS²

	SHORT BOX	STANDARD BOX	LONG BOX
Cargo Volume	53.2 cu. ft.	60.7 cu. ft.	75.5 cu. ft.
Inside Width at Floor	62.4"	62.4"	62.4"
Box Length at Floor	69.3"	78.9"	97.8"

EXTERIOR DIMENSIONS²

	REGULAR CAB	EXTENDED CAB	CREW CAB
Height	73.5"-73.8"	73.6"-73.9"	73.7"-73.8"
Overall Length			
Short Box	—	—	230.2"
Standard Box	205.6"	230.2"	—
Long Box	224.5"	249.2"	—

SPECIFICATIONS/2500HD/3500HD

ENGINES

	VORTEC 6.0L V-8 VVT (L96)	DURAMAX DIESEL 6.6L V-8 TURBO (LMM)
FUEL TYPE	Gasoline	Diesel
CAPACITY	6.0 liters (364 cu. in.)	6.6 liters (402 cu. in.)
SAE NET HORSEPOWER @ RPM	360 @ 5400 (<10,000-lb GVWR) 322 @ 4400 (>10,000-lb GVWR)	365 @ 3200
SAE NET TORQUE @ RPM (LB-FT)	380 @ 4200	660 @ 1600

TRANSMISSIONS: Electronically controlled 6-speed heavy-duty automatic transmission with overdrive and Tow/Haul mode

Electronically controlled Allison 1000 Series 6-speed automatic transmission with overdrive, electronic engine grade braking and Tow/Haul mode

STANDARD TECHNICAL DATA

	2WD	4WD
Series/Drive Type		
BRAKES	4-wheel disc	4-wheel disc
STEERING	Power recirculating ball	Power recirculating ball
FUEL TANK CAPACITY (APPROX GALS.: STANDARD/LONG BOX)	26.0/34.0	26.0/34.0
ALTERNATOR (AMPS)	125	125

CARGO DIMENSIONS²

	STANDARD BOX	LONG BOX
Cargo Volume	60.7 cu. ft.	75.5 cu. ft.
Inside Width at Floor	62.46"	62.46" - 64.70"
Box Length at Floor	78.9"	97.80"

EXTERIOR DIMENSIONS

	REGULAR CAB	EXTENDED CAB	CREW CAB
Height	75.60" - 77.00"	76.63" - 76.85"	76.0" - 77.20"
Overall Length			
Standard Box	—	230.31"	239.92"
Long Box	224.72" - 225.0"	249.21" - 258.70"	249.20" - 258.74"

GVWR¹ (Gross Vehicle Weight Rating)

	REGULAR CAB	EXTENDED CAB	CREW CAB
2500HD			
Standard Box	9200	9200	9200
Long Box	9200	9200	9200
3500HD			
SRW	9700	9900	9900
DRW	11,400	11,400	11,400

WHEELBASE

	REGULAR CAB	EXTENDED CAB	CREW CAB
Standard Box	—	143.50"	153.0"
Long Box	133.0"	157.50" - 157.52"	167.0"

SRW=Single Rear Wheel DRW=Dual Rear Wheel

¹When properly equipped; includes weight of vehicle, passengers, cargo and equipment. ²Cargo and load capacity limited by weight and distribution. ³Maximum payload capacity includes weight of driver, passengers, optional equipment and cargo. ⁴Maximum trailer weight ratings are calculated assuming a base vehicle, except for any option(s) necessary to achieve the rating, plus driver. The weight of other optional equipment, passengers and cargo will reduce the maximum trailer weight your vehicle can tow. See your GMC dealer for additional details. ⁵Capacities and weight ratings are dependent upon model, engine, transmission and GVWR combinations. See your GMC dealer for details.

SPECIFICATIONS/1500/DENALI (CONT'D)

WHEELBASE	REGULAR CAB	EXTENDED CAB	CREW CAB
Short Box	—	—	143.5*
Standard Box	119.0*	143.5*	—
Long Box	133.0*	157.5*	—

SELECT RATINGS	MAXIMUM PAYLOAD ³	
All capacities in lbs	2WD	4WD (Denali: AWD)
Regular Cab, Standard Box	1832 with 4.8L	1566 with 4.8L
Regular Cab, Long Box	1697 with 4.8L	1792 with 4.8L
Extended Cab, Standard Box	1865 with 6.2L	1812 with 6.2L
Extended Cab, Long Box	1636 with 5.3L	1491 with 5.3L
Crew Cab: 1500	1924 with 6.2L	1873 with 6.0L
Crew Cab: 1500 XFE	1645 with 5.3L	—
Crew Cab: Denali	1566 with 6.2L	1588 with 6.2L
Hybrid	1511 with 6.0L	1473 with 6.0L

MAXIMUM TRAILERING ⁴	2WD		4WD (Denali: AWD)	
All capacities in lbs	2WD		4WD (Denali: AWD)	
Regular Cab, Standard Box	9200 with 5.3L/3.42 axle		8900 with 5.3L/3.42 axle	
Regular Cab, Long Box	10,000 with 5.3L/3.42 axle		9800 with 5.3L/3.42 axle	
Extended Cab, Standard Box	10,700 with 6.2L/3.73 axle		10,400 with 6.2L/3.73 axle	
Extended Cab, Long Box	9500 with 5.3L/3.42 axle		9300 with 5.3L/3.42 axle	
Crew Cab: 1500	10,600 with 6.2L/3.42 axle		10,400 with 6.2L/3.42 axle	
Crew Cab: 1500 XFE	7000 with 5.3L/3.08 axle		—	
Crew Cab: Denali	8600 with 6.2L/3.42 axle		9300 with 6.2L/3.42 axle	
Hybrid	6200 with 6.0L/3.08 axle		6000 with 6.0L/3.08 axle	

FRONT SUSPENSION ⁵ Coil-over-shock	FRONT AXLE CAPACITY (Short/Standard/Long Box)	
	2WD	4WD (Denali: AWD)
Regular Cab (lbs)	—/3200/3300	—/3950/3950
Extended Cab (lbs)	—/3600/3700	—/3950/3950
Crew Cab (lbs)	3650/—/—	3950/—/—
Crew Cab: Denali (lbs)	3950/—/—	3950/—/—
FRONT SPRING CAPACITY		
Regular Cab (lbs)	—/3200/3300	—/3950/3950
Extended Cab (lbs)	3600/3600/3700	3950/3950/3950
Crew Cab (lbs)	3650/—/—	3950/—/—
Crew Cab: Denali (lbs)	3950/—/—	3950/—/—

REAR SUSPENSION ⁵ Semi-elliptical 2-stage multileaf springs	REAR AXLE CAPACITY (Short/Standard/Long Box)	
	2WD	4WD (Denali: AWD)
Regular Cab (lbs)	—/3750/3750	—/3750/4000
Extended Cab (lbs)	—/3750/3950	—/3950/3950
Crew Cab (lbs)	3950/—/—	4000/—/—
Crew Cab: Denali (lbs)	4000/—/—	4000/—/—
REAR SPRING CAPACITY		
Regular Cab (lbs)	—/3750/3750	—/3750/4000
Extended Cab (lbs)	3750/3750/3950	3950/3950/3950
Crew Cab (lbs)	4000/—/—	3950/—/—
Crew Cab: Denali (lbs)	4000/—/—	4000/—/—

SPECIFICATIONS/2500HD/3500HD (CONT'D)

SELECT RATINGS All capacities in lbs	MAXIMUM PAYLOAD ³	MAXIMUM TRAILERING ⁴ Ball Hitch		Fifth-Wheel or Gooseneck	
		Vortec 6.0L V-8/Duramax Diesel 6.6L V-8		Vortec 6.0L V-8/Duramax Diesel 6.6L V-8	
	2WD/4WD	2WD	4WD	2WD	4WD
2500HD					
Regular Cab Long Box	3872/3594	13,000/13,000	12,700/13,000	13,000/15,800	12,700/15,500
Extended Cab Standard Box	3600/3338	12,700/13,000	12,400/13,000	12,700/15,500	12,400/14,800
Extended Cab Long Box	3549/3200	12,600/13,000	12,300/13,000	12,600/15,300	12,300/14,000
Crew Cab Standard Box	3475/3228	12,600/13,000	12,300/13,000	12,600/15,400	12,300/14,200
Crew Cab Long Box	3316/3047	12,400/13,000	12,100/13,000	12,600/14,800	12,100/13,000
3500HD					
Regular Cab SRW	4713/4128	—/—	12,500/13,000	—/—	12,500/15,400
DRW	—/5255	—/—	12,200/13,000	—/—	12,200/16,500
Extended Cab SRW	3968/3729	12,400/13,000	12,100/13,000	12,400/15,200	12,100/15,000
DRW	5088/4848	12,000/13,000	11,700/13,000	12,000/16,300	11,700/16,100
Crew Cab SRW	3855/3590	12,300/13,000	12,000/13,000	12,300/15,100	12,000/14,800
DRW	4979/4714	11,900/13,000	11,600/13,000	11,900/16,200	11,600/16,000

FRONT SUSPENSION ⁵ Independent torsion bar	FRONT AXLE CAPACITY (2500HD/3500HD)	
	2WD	4WD
Regular Cab (lbs)	4800/4800	4500/4800
Extended Cab (lbs)	4800/4800	4800/4800
Crew Cab (lbs)	4800/4800	4800/4800
FRONT SPRING CAPACITY		
Regular Cab (lbs)	4500/4800	4500/4800
Extended Cab (lbs)	4500-4800/4800	4800/4800
Crew Cab (lbs)	4500-4800/4800	4800/4800

REAR SUSPENSION ⁵ Semi-elliptical multileaf—2500HD: 2-stage; 3500HD: 3-stage	REAR AXLE CAPACITY (2500HD/3500HD-SRW/3500HD-DRW)	
	2WD	4WD
Regular Cab (lbs)	6900/6500/—	6900/6500/9200
Extended Cab (lbs)	6900/6500/9200	6900/6500/9200
Crew Cab (lbs)	6900/6500/9200	6900/6500/9200
REAR SPRING CAPACITY		
Regular Cab (lbs)	6084/6500/—	6084/6500/8200
Extended Cab (lbs)	6084/6500/8200	6084/6500/8200
Crew Cab (lbs)	6084/6500/8200	6084/6500/8200

SRW=Single Rear Wheel DRW=Dual Rear Wheel

GMC
ACCESSORIES

design by
U

GET PERSONAL.

Make Sierra your very own with available accessories created specifically to match its distinctive style and enhance its capabilities to suit your needs. All of these items have been tested to meet GMC's original equipment standards for performance and appearance. Their cost can be applied to your purchase, installed by your GMC dealer and covered under GM's New-Vehicle Limited Warranty.¹ Just ask your dealer.



SIERRA CREW CAB IN PURE SILVER METALLIC SHOWN WITH AVAILABLE DEALER-INSTALLED EQUIPMENT

¹GM Accessories permanently installed at the time of new-vehicle delivery are covered under the New-Vehicle Limited Warranty. If installed after delivery, coverage (parts and labor) is for the balance of the new-vehicle warranty or a minimum of 12 months/12,000 miles, whichever comes first. GM Accessories not requiring installation or purchased over the counter carry a 12-month limited warranty (parts only). Does not apply to licensed products. ²Use only GM-approved tire and wheel combinations. Unapproved tire and wheel combinations may change the vehicle's performance characteristics. For approved tire and wheel combinations and other important information, go to gmaccessorieszone.com or see your dealer for details.



1 INTEGRATED DVD
A Dual-Player DVD System mounted in back of each front head restraint with wireless headphones gives rear-seat passengers personal entertainment. Single remote control included.

2 PORTABLE DVD
The overhead DVD docking station seamlessly integrates with the interior. Separate portable DVD player plugs into the docking station and is easily removable. Includes two wireless headphones and remote control.

3 NOISE-CANCELING HEADPHONES
Each wireless headphone has dual channels and volume control and features active noise reduction technology. Co-branded with KOSS® and carry a lifetime limited warranty.

4 TWO-WAY ADVANCED REMOTE-START SYSTEM
Offers greater operating range than factory system. Display on fob shows current vehicle status (door locked or remote-start engaged, fuel level, tire pressure, etc.). Can also control second Advanced Remote-Start System-equipped vehicle.

5 CHROME MIRROR COVER
Help your Sierra make a fashion statement with these chrome outside rearview mirror covers.

6 SOFT TONNEAU COVER
Roll-up design shields cargo, easily rolls up to allow full access to the bed and is constructed with integrated crossbows.

7 OVAL-PATTERN CHROME GRILLE
This sporty chrome grille features a chrome mesh center and surround. It replaces the existing grille.

8 STEP SHIELDS AND DOOR SILL PLATES
Stylish brushed stainless steel step shields and door sill plates (available separately) protect the outer door sills. Sill plates feature the GMC logo.

CK366 TRI-SPOKE 22" CHROME²
CAST CHROME WHEELS FEATURE A BRILLIANT, DURABLE CHROME FINISH.



CK375 22" CHROME²
CAST CHROME WHEELS FEATURE A BRILLIANT, DURABLE CHROME FINISH.



CK916 22" CHROME²
CAST CHROME WHEELS FEATURE A BRILLIANT, DURABLE CHROME FINISH.



CK925 20" CHROME²
CAST CHROME WHEELS FEATURE A BRILLIANT, DURABLE CHROME FINISH.



CK945 20" CHROME²
CAST CHROME WHEELS FEATURE A BRILLIANT, DURABLE CHROME FINISH.



CK948 20" CHROME²
SIX-SPOKE WHEELS FEATURE A LUSTROUS CHROME FINISH, WITH A CHOICE OF MATCHING GMC LOGO CENTER CAPS AND CHROME LUG NUTS.



CK951 20" CHROME²
FIVE-SPOKE WHEELS FEATURE A LUSTROUS CHROME FINISH, WITH A CHOICE OF MATCHING GMC LOGO CENTER CAPS AND CHROME LUG NUTS.



CK994 20" CHROME²
CAST CHROME WHEELS FEATURE A BRILLIANT, DURABLE CHROME FINISH.



CK997 20" CHROME²
CAST CHROME WHEELS FEATURE A BRILLIANT, DURABLE CHROME FINISH.





GMC
ACCESSORIES

design by
U

GM Accessories include a variety of items designed to enhance your Sierra's functionality. In addition to those shown on this page, the Sierra shown on page 40 features 6-inch oval assist steps,¹ roof-mounted luggage cross rails and a soft tonneau cover.

1
STATIONARY TOOLBOX
Diamond-patterned toolbox features dual gas shocks for smooth opening and closing.

2
OVERHEAD UTILITY RACK
The overhead utility rack mounts to the available bed rails and supports up to 500 lbs.² The rear supports slide along the bed rails to enhance functionality.

3
BED-MOUNTED TIE-DOWN HOOKS
Four bright stainless steel hooks mount in the stake pockets of the pickup bed, remain out of sight when not in use and pop up to help secure cargo.

4
BED EXTENDER
Extender swings out over an open tailgate to provide additional length, or swings in to create a partitioned cargo area.² Compatible with bed liners and tonneau covers. Secure items before driving.

5
PREMIUM ALL-WEATHER FLOOR MATS
Designed to conform to the floor, mats feature a custom, deep-ribbed pattern to collect debris for easy cleaning.

6
SLIDING TOOLBOX AND BED DIVIDER
This diamond-patterned toolbox can hold 250 lbs of storage² and features dual gas shocks for smooth opening and closing, and codeable lock technology. Both toolbox and sturdy metal bed divider slide on rails to help organize your pickup bed.

7
BEDLINER
Includes a tailgate liner and a skid-resistant floor to help reduce load shifting.

8
OVERHEAD BED DIVIDERS
Add cargo management versatility² to your truck bed with these overhead bed dividers. Both racks attach and slide on the Cargo Management System rails, and front rack flips down to serve as a bed divider. Requires Center High-Mounted Stop Lamp (CHMSL).

COLOR AND TRIM/SIERRA AND SIERRA DENALI

SIERRA AND SIERRA DENALI COLORS



ONYX BLACK



STORM GRAY METALLIC³



SUMMIT WHITE



STEALTH GRAY METALLIC³



CARBON BLACK METALLIC EXTRA-COST COLOR



MIDNIGHT BLUE METALLIC^{3/4}



FIRE RED^{3/4}

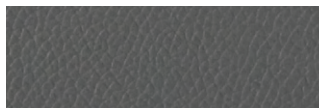


PURE SILVER METALLIC³

All colors are basecoat/clearcoat for high-gloss and durable finish. See dealer for more details.

SIERRA INTERIOR TRIM

VINYL
(Standard: WT trim)



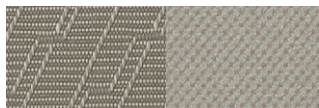
DARK TITANIUM⁵

CLOTH
(Standard: SL trim; Available: WT trim)



DARK TITANIUM⁵

PREMIUM CLOTH
(Standard: SLE trim and XFE. Available on SLE trim)



LIGHT TITANIUM

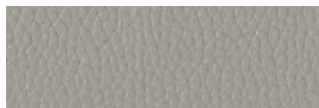


CASHMERE⁵



EBONY

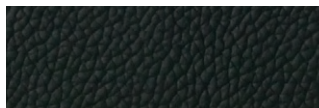
ULTRASOFT LEATHER-APPOINTED
(Standard: SLT trim; Available: SLE trim and XFE)



LIGHT TITANIUM



LIGHT CASHMERE⁵



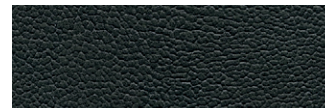
EBONY

SIERRA DENALI INTERIOR TRIM

NUANCE LEATHER
(Standard: Sierra Denali)



EBONY/LIGHT CASHMERE LEATHER



EBONY/EBONY LEATHER

NUANCE PERFORATED LEATHER
(Standard: Sierra Denali with heated and cooled seats)



COCOA/LIGHT CASHMERE



EBONY

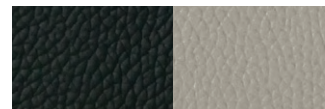
SIERRA ALL-TERRAIN INTERIOR TRIM

PREMIUM CLOTH
(Standard: SLE trim)

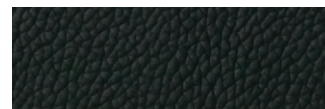


EBONY

ULTRASOFT LEATHER-APPOINTED
(Standard: SLT trim)



EBONY/LIGHT TITANIUM



EBONY



ONSTAR

OnStar is a core asset of your Sierra. Benefiting from more than a decade of innovative development, it is both a highly advanced technology—fully integrated within the vehicle—and a warm human service. Standard on most Sierra models is one year of the OnStar Safe & Sound plan, including the convenience and safety of Hands-Free Calling.¹ It also includes Automatic Crash Response (see page 26), Stolen Vehicle Assistance,² link to Emergency Services, Roadside Assistance, Remote Door Unlock,² OnStar Vehicle Diagnostics, Crisis Assist and Remote Horn and Lights. OnStar services require vehicle electrical system (including battery), wireless service and GPS satellite signals to be available and operating for features to function properly. OnStar acts as a link to existing emergency service providers. Subscription Service Agreement required. Call 1-888-4ONSTAR (466-7827) or visit onstar.com for OnStar's Terms and Conditions, Privacy Policy, details and system limitations.

HANDS-FREE CALLING

OnStar Hands-Free Calling¹ capability is built into your Sierra. It's there when your cell phone is unavailable, its battery is low, you can't reach it easily or you left it home or in the office. Your Hands-Free Calling system is the right choice whenever you need an easy way to make and receive calls—at the touch of the phone icon on the rearview mirror or the steering-wheel-mounted control shown on page 18. Voice-activated dialing is convenient because you don't have to dial when you are at the wheel. And Hands-Free Calling is reliable because it's specially designed for better reception and fewer dropped calls in areas of limited cellular reception. You are invited to experience the benefits yourself with 30 Hands-Free Calling minutes—on OnStar—during the first two months you drive your Sierra, with no strings attached.

ONSTAR TURN-BY-TURN NAVIGATION

Available on Sierra 1500 WT, SL, SLE and SLT and standard on Sierra Denali models is one year of the OnStar Directions & Connections plan that adds innovative, easy-to-use Turn-by-Turn Navigation³ plus Information and Convenience Services and Driving Directions. With Turn-by-Turn Navigation, you simply tell

the OnStar Advisor your intended destination, and directions will automatically be sent to your Sierra. An automated voice then guides you turn-by-turn until you arrive at your destination. Turn-by-Turn Navigation is further enhanced with eNAV,³ allowing you to send MapQuest® directions directly to your vehicle. No need to print out directions; just call them up with simple voice commands.



XM RADIO

On all Sierra models except WT: XM Radio⁴ is standard with 3 trial months of service. XM turns your drive on with commercial-free music channels from virtually every genre, artist-dedicated channels, live performances and more. Tune in to live play-by-play from the biggest sports, exclusive entertainment from top personalities, compelling talk, hilarious comedy, world-class news, local traffic and weather and family-friendly programming. Everything worth listening to is now on XM. Visit gm.xradio.com for details.



XM NAVTRAFFIC

Included with the available Touch-Screen Navigation System, XM NavTraffic⁵ enhances Sierra's GPS navigation system by showing real-time traffic data—while you're driving. Available in over 80 markets, XM NavTraffic displays construction, road closures and accidents so that you can get to your destination faster, plus average traffic speed and estimated drive time in select markets. For more information, visit xradio.com/navtraffic.

¹OnStar Hands-Free Calling requires a Hands-Free Calling-enabled vehicle and existing OnStar service contract. Not available in certain markets. Calls may be made to the U.S. and Canada only.
²Ability to locate stolen vehicles and Remote Door Unlock success vary with conditions. Remote Door Unlock requires power door locks.
³Requires Directions & Connections plan. Not available in certain areas. Visit onstar.com for coverage map.
⁴XM Radio requires a subscription, sold separately by XM after the first 90 days. XM Radio U.S. service only available in the 48 contiguous United States and the District of Columbia. For more information, visit gm.xradio.com.
⁵Required XM Radio and NavTraffic monthly subscriptions sold separately by XM after trial period. XM NavTraffic only available in select markets. For more information, visit xradio.com/navtraffic.



SIERRA CREW CAB IN PURE SILVER METALLIC SHOWN WITH AVAILABLE DEALER-INSTALLED EQUIPMENT

COMMITMENT PLUS

From the owner orientation—and full tank of gas—you receive when you take possession of your Sierra to the **24-Hour Roadside Assistance, Courtesy Transportation and Travel Benefits**, Commitment Plus is a portfolio of owner privileges that lasts throughout your warranty. For expert product information, Roadside Assistance or other services, call 1-800-GMC-8782.

TRAVEL BENEFITS AND ROADSIDE ASSISTANCE Available around the clock: trip routing service, a program for reimbursement for trip interruption due to necessary warranty repairs, towing, flat tire change, jump-starts and more for 5 years or 100,000 miles (whichever comes first).

COURTESY TRANSPORTATION Available at participating dealers: shuttle service, reimbursement of certain public transportation or fuel expenses for overnight warranty repairs, and courtesy rental for overnight work repairs. See your dealer for details.

GMC OWNER CENTER A complimentary, one-stop resource to enhance your GMC ownership experience. It's easy to sign up. Just go to gm.com/gmownercenter/gmc.

BEST COVERAGE IN AMERICA Sierra offers the best coverage in America. That means you get all the benefits of Commitment Plus, including Roadside Assistance and Courtesy Transportation. In addition, you get a new level of confidence with GM's 5-Year/100,000-Mile Transferable Powertrain Limited Warranty. Whichever comes first. See dealer for details.

GMC | Goodwrench **GOODWRENCH SERVICE** To help your Sierra live up to its performance promise, GMC Goodwrench Service—found exclusively at your GMC dealer—is there. With all the engineering excellence in Sierra, GM-trained Goodwrench technicians have the expertise to care for all of it.

A NOTE ON CHILD SAFETY Always use safety belts and the correct restraint for your child's age and size. Even in vehicles equipped with the Passenger Sensing System, children are safer when properly secured in a rear seat in the appropriate infant, child or booster seat. Never place a rear-facing infant restraint in the front seat of any vehicle equipped with a passenger air bag. See the Owner's Manual and child safety seat instructions for more safety information.

TRAILERING AND OFF-ROAD INFORMATION Please carefully review the Owner's Manual for important safety information about trailering or off-road driving in your vehicle.

IMPORTANT WORDS ABOUT THIS CATALOG We have tried to make this catalog comprehensive and factual. We reserve the right, however, to make changes at any time, without notice, in prices, colors, materials, equipment, specifications, models and availability. Specifications, dimensions, measurements, ratings and other numbers in this catalog and other printed materials provided at the dealership or affixed to vehicles are approximates based upon design and engineering drawings and prototypes and laboratory tests. Your vehicle may differ due to variations in manufacture and equipment. Since some information may have been updated since the time of printing, please check with your GMC dealer for complete details. GMC reserves the right to lengthen or shorten the model year for any product for any reason, or to start and end model years at different times.

ENGINES GMC products are equipped with engines produced by GM Powertrain or other suppliers to GM worldwide. The engines in GMC products may also be used in other GM makes and models.

GMC.COM See more of Sierra on our Web site: gmc.com/sierra. More photos and information; hot links to related subjects; convenient dealer locator; pricing guide, spec out your own vehicle. Or call 1-800-GMC-8782.

AN IMPORTANT NOTE ABOUT ALTERATIONS AND WARRANTIES Installations or alterations to the original equipment vehicle (or chassis) as distributed by General Motors are not covered by the General Motors New-Vehicle Limited Warranty. The special body company, assembler, equipment installer or upfitter is solely responsible for warranties on the body or equipment and any alterations (or any effect of the alterations) to any of the parts, components, systems or assemblies installed by GM. General Motors is not responsible for the safety or quality of design features, materials or workmanship of any alterations by such suppliers.

NEW-VEHICLE LIMITED WARRANTY All GMC light-duty vehicles come with a fully transferable, no-deductible 5-year/100,000-mile (whichever comes first) Powertrain Limited Warranty. GM vehicles registered in the U.S.A. are also covered for 3 years or 36,000 miles (whichever comes first). Coverage includes tires and towing to your nearest GMC dealership. Repairs will be made to correct any vehicle defect and most warranty repairs will be made at no charge. In addition, rust-through corrosion will be covered for 6 years or 100,000 miles (whichever comes first). See dealer for details.

HYBRID WARRANTY In addition to the transferable GMC 3-year/36,000-mile (whichever comes first) New-Vehicle Limited Warranty and the 5-year/100,000-mile (whichever comes first) Powertrain Limited Warranty, GM will also warrant certain hybrid components on Sierra Hybrid models for 8 years/100,000 miles (whichever comes first). No deductibles are associated with the Sierra Hybrid warranty, which is transferable to any subsequent persons assuming ownership of the vehicle during the 8-year/100,000-mile warranty period. See your GMC dealer for details.

ASSEMBLY GMC vehicles and their components are assembled or produced by different operating units of General Motors, its subsidiaries or suppliers to GM worldwide. We sometimes find it necessary to produce GMC vehicles with different or differently sourced components than originally scheduled. Since some options may be unavailable when your vehicle is assembled, we suggest that you verify that your vehicle includes the equipment you ordered or, if there are changes, that they are acceptable to you.

GMMOBILITY.COM (1-800-323-9935) GM Mobility offers financial assistance for eligible adaptive equipment to make automotive travel easier for persons with disabilities or special transportation needs. To learn more about special GM Mobility offers, visit gmmobility.com.

GMCARDMEMBERSERVICES.COM Did you know about the family of reward credit cards that can help you get a great deal on a new GM car, light-duty truck, SUV or crossover? With a GM reward card, you accrue earnings on every credit card purchase to use toward the purchase or lease of an eligible new GM vehicle. With three cards to choose from, you're sure to find one that suits you.

©2009 General Motors. All rights reserved. GM, the GM logo, GMC, the GMC logo, the slogans, emblems, vehicle model names, vehicle body designs and other marks appearing in this catalog are the trademarks and/or service marks of General Motors, its subsidiaries, affiliates or licensors. Bose, Centerpoint, AudioPilot and SurroundStage are registered trademarks of the Bose Corporation. iPod is a registered trademark of Apple, Inc.



WE ENGINEER PRACTICAL WISDOM AND REMARKABLE CAPABILITY INTO EVERYTHING WE DO—FROM OUR RENOWNED LINE OF SIERRA PICKUPS AND THE ACADIA, OUR PREMIUM MIDSIZE CROSSOVER, TO OUR FAMILY OF FULL-SIZE HYBRID SUVS AND PICKUPS NO COMPETITOR CAN OFFER: SIERRA HYBRID, YUKON HYBRID AND YUKON DENALI HYBRID.

ADD OUR POWERFUL AND FUEL-EFFICIENT¹ ENGINES, COMPREHENSIVE SAFETY FEATURES AND THOUGHTFUL INNOVATIONS, AND YOU GET A COMBINATION OF PERFORMANCE, TECHNOLOGY AND CONVENIENCE YOU MIGHT NOT EXPECT IN ANY SINGLE VEHICLE. ADD TO THAT THE ALL-NEW GMC TERRAIN, COMBINING THE BENEFITS OF A CROSSOVER WITH THE STYLE AND FUNCTIONALITY OF AN SUV THAT HAS A BEST-IN-CLASS 32 EPA-ESTIMATED HIGHWAY MPG.²

THAT'S WHAT HAPPENS WHEN YOUR ENGINEERS NEVER SAY NEVER. THAT'S GMC. WE ARE PROFESSIONAL GRADE.



GMC.COM

10 GMC SRA RC-25 Litho in U.S.A. ¹EPA-estimated mileage: Acadia FWD 17 city/24 hwy.; Sierra Hybrid, Yukon Hybrid, Yukon Denali Hybrid 2WD 21 city/22 hwy. ²Based on Terrain FWD with 2.4L I-4 DI engine and 2009 GM Compact SUV-Crossover segment. Excludes other GM vehicles.