

PLYMOUTH



LASER

THE PLYMOUTH ADVANTAGE: PERFORMANCE ENGINEERING. THE 1992 LASERS CONTINUE THE PLYMOUTH TRADITION OF INNOVATION. LASER COMBINES POWER, SPORTINESS AND SAFETY FEATURES AT A PRICE THAT'S ABSOLUTELY IRRESISTIBLE. THE NEWLY REFINED AERODYNAMIC SHAPE IS SLEEK AND FUTURISTIC. UNDER THE HOOD BEATS THE PURE POWER OF AN AVAILABLE 2.0-LITER DOHC (DUAL OVER-HEAD CAM) 16-VALVE INTER-COOLED TURBOCHARGED MPI (MULTIPOINT FUEL INJECTION) ENGINE. STOPPING STABILITY ON SLIPPERY SURFACES IS GREATLY IMPROVED BY OPTIONAL ANTILOCK BRAKES. A NEW RS TURBO ALL-WHEEL-DRIVE MODEL WITH DOUBLE WISHBONE REAR SUSPENSION DELIVERS GREATER HANDLING AND PERFORMANCE. A WEALTH OF SAFETY FEATURES, DESCRIBED THROUGHOUT THIS BOOK, OFFER INCREASED SECURITY FOR DRIVER AND PASSENGERS. WHETHER YOU CHOOSE THE RS TURBO AWD, RS TURBO, RS OR BASE MODEL, PLYMOUTH LASER OWNS THE ROAD. YOU CAN TOO. ADVANTAGE: PLYMOUTH.



Laser RS Turbo AWD

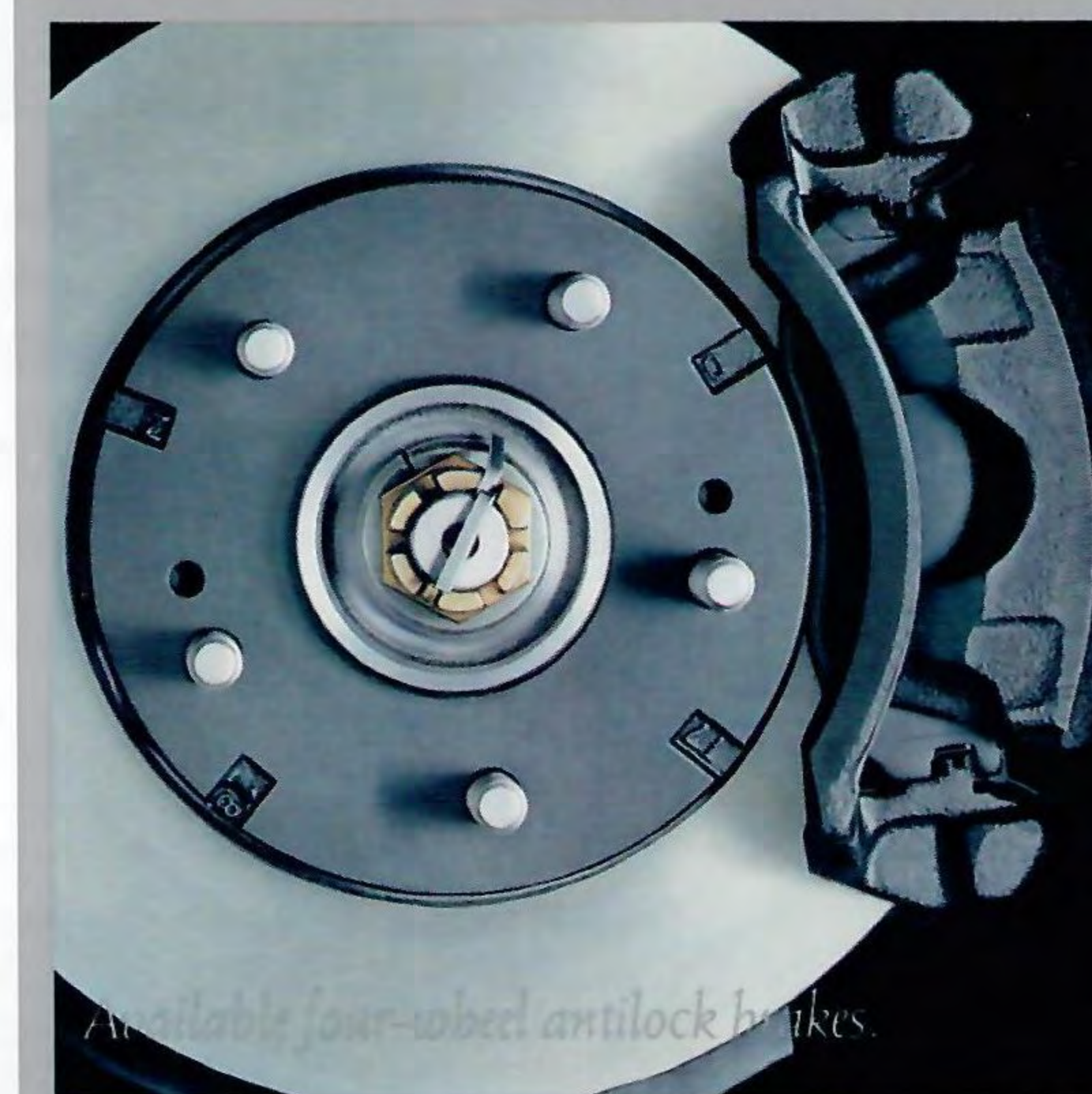


Laser RS



Laser

ADVANTAGE: SAFETY



Available four-wheel antilock brakes.



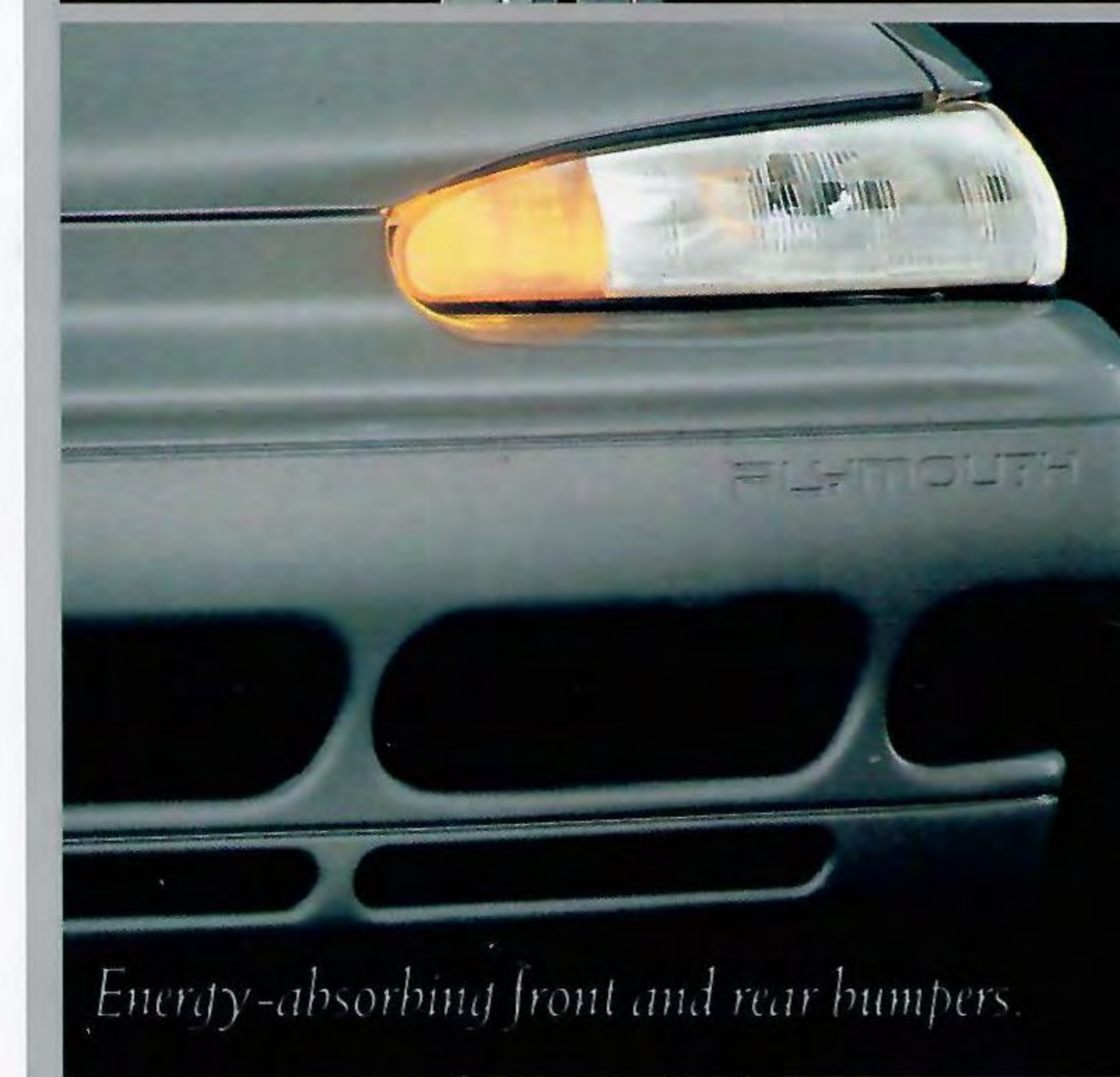
Standard front motorized passive restraint system with manual active lap belts.



Available dealer-installed security alarm system.

ALL WHEEL DRIVE

New All-Wheel-Drive availability.



Energy-absorbing front and rear bumpers.



Available portable handheld cellular telephone.*

*See page 19 for additional information.



Laser RS Turbo, winner of *Car & Driver's* "10 Best" award three years in a row. (Jan. 1989, 1990 and 1991 issues.)



New styling refinements give Laser a smooth, sleek, sophisticated look. The new Laser RS Turbo AWD model distributes engine forces evenly to all four wheels for improved handling, acceleration and stability.



Optional flip-up/removable sunroof includes air deflector, sunshade and vinyl protective storage bag with cargo compartment tie-down straps.



Available liftgate wiper/washer keeps your rear window clean for better visibility.

SERIOUS FUN



Some of the equipment shown or described throughout this catalog is available at extra cost.

About this catalog. Since the time of printing, some of the information you'll find in this catalog may have been updated. Ask your dealer for details.

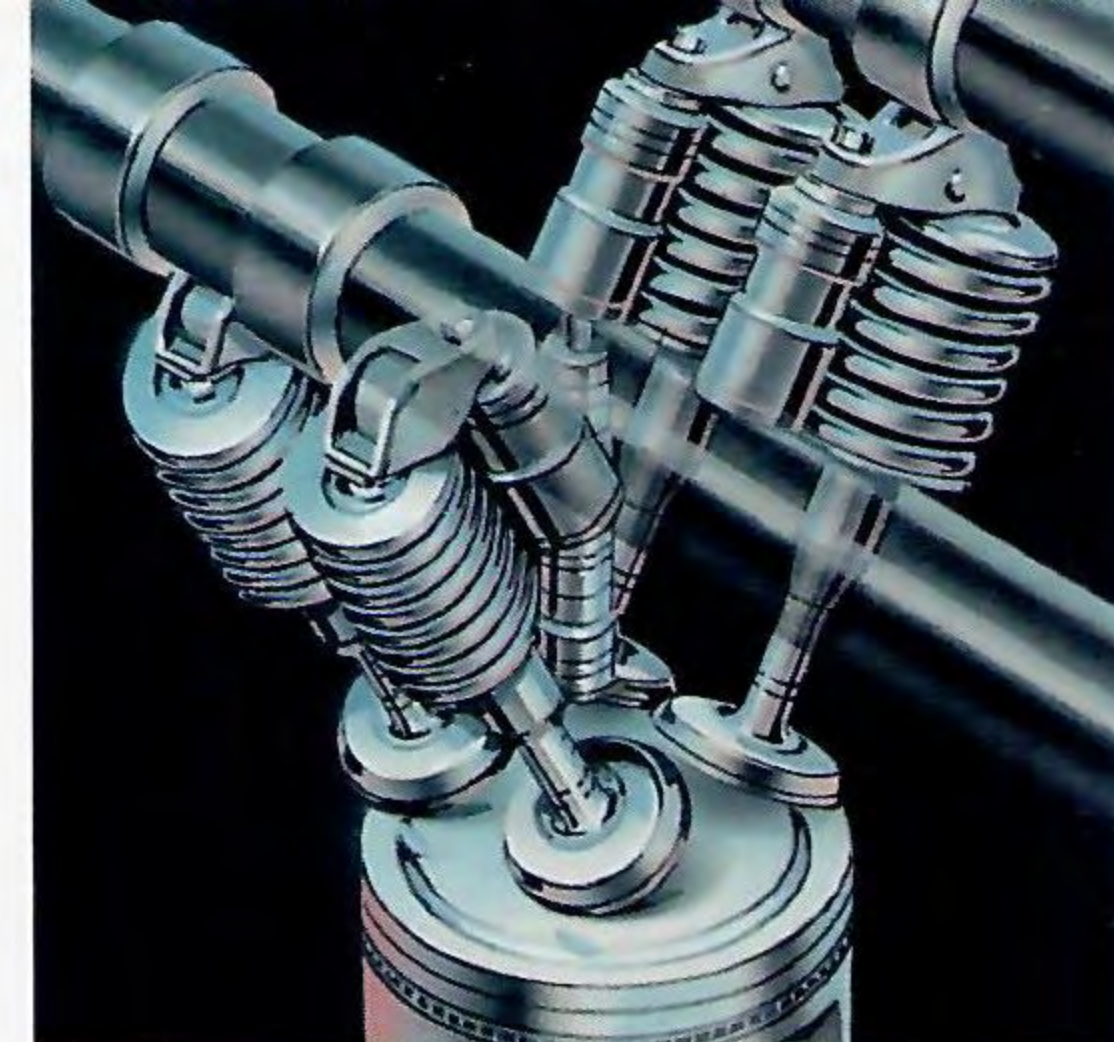
Plymouth Laser RS Turbo AWD, shown in Radiant Red Clear Coat.



Four-wheel antilock brakes help prevent wheel lockup. (Available on Laser RS, RS Turbo, and RS Turbo AWD.)



New Laser RS Turbo AWD model features a rear double wishbone design for superior handling and stability.



Four valves per cylinder offer high output and smooth performance on Laser RS, RS Turbo, and RS Turbo AWD.

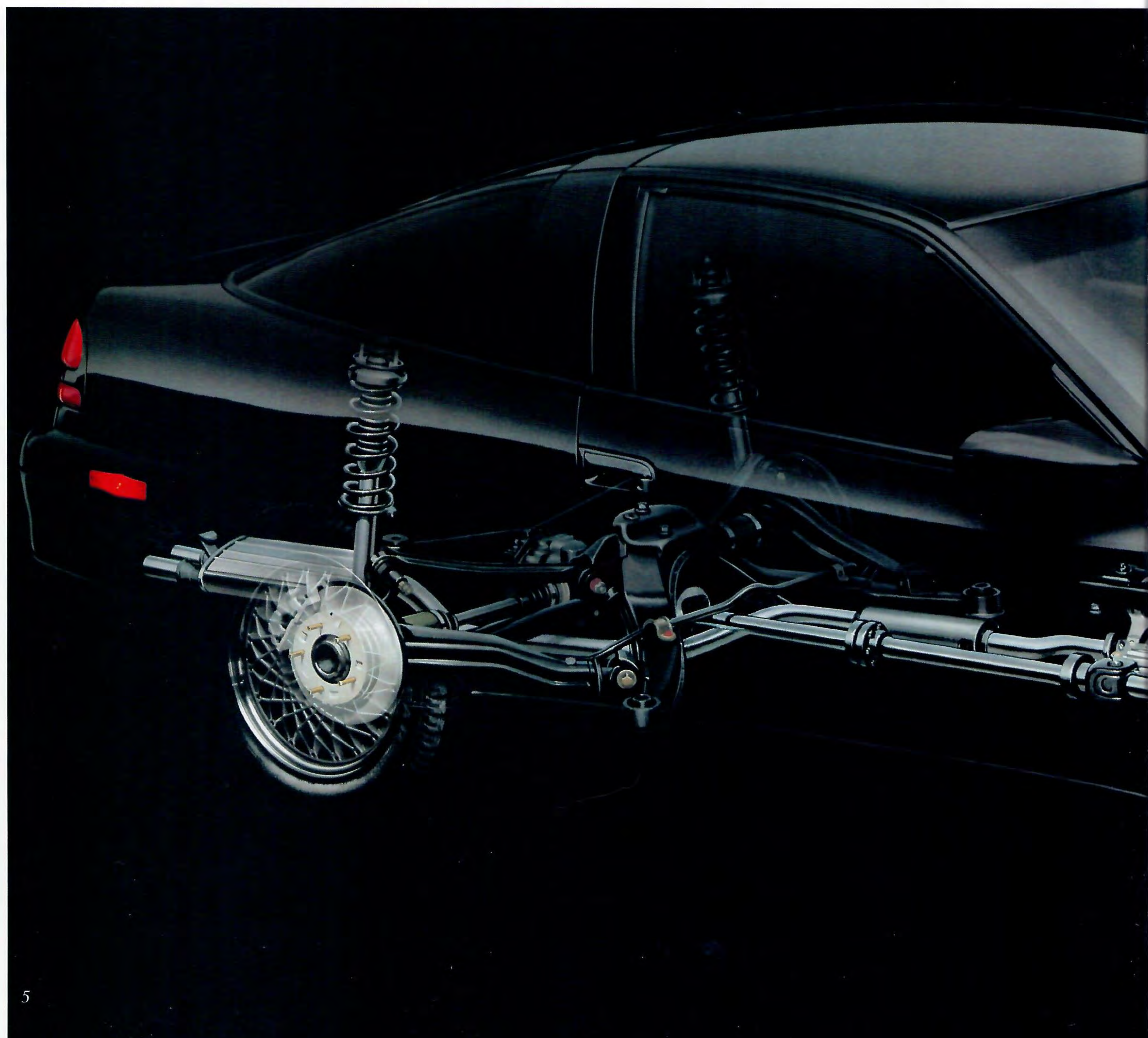


Laser's contemporary and aerodynamic shape has earned an impressive drag coefficient of 0.33. A new rear spoiler (available February 1992) is standard on Laser RS Turbo and RS Turbo AWD models.

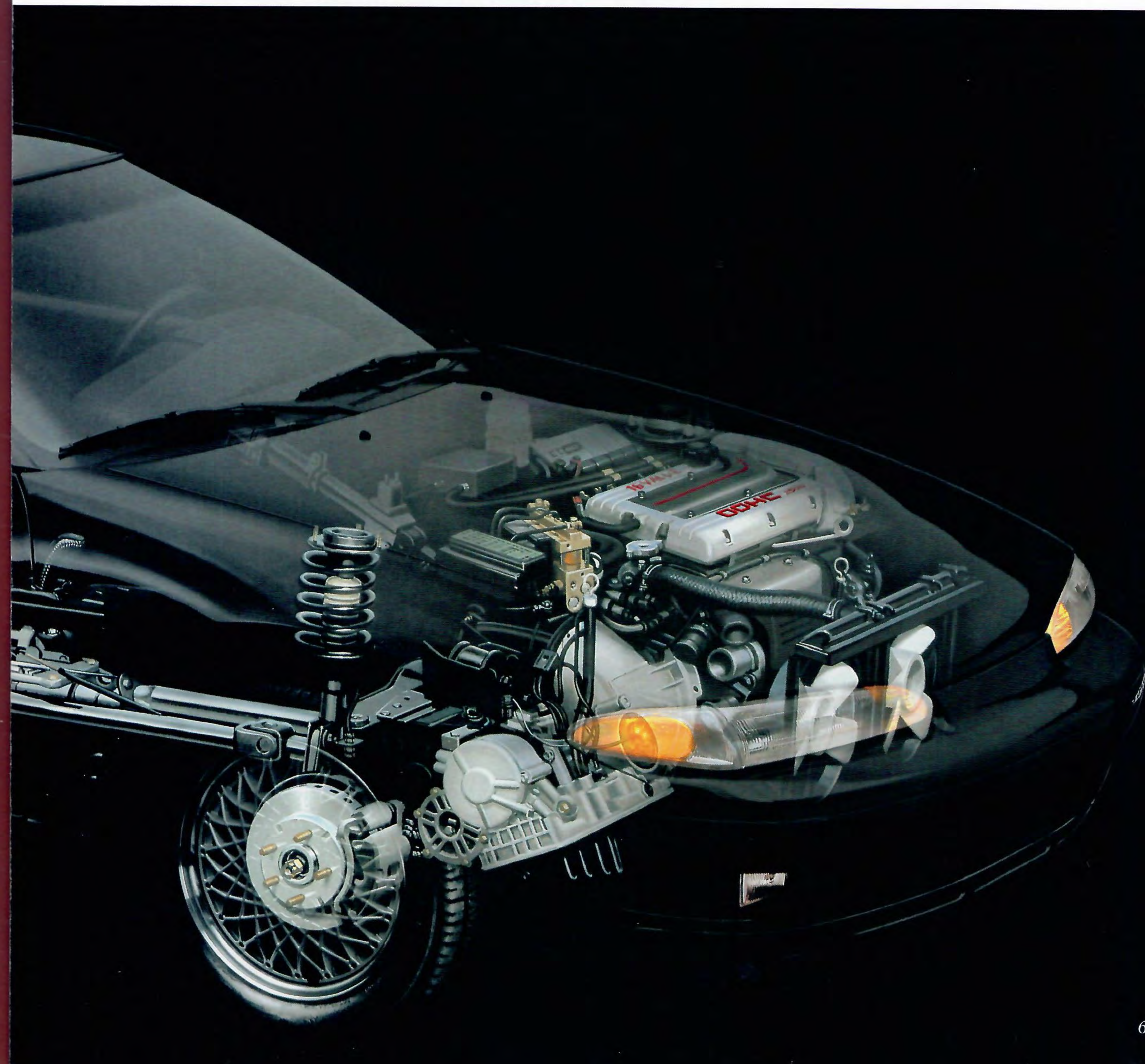


To ensure consistent high quality, Laser's advanced manufacturing process uses over 470 robots.

SUPERB PERFORMANCE



ADVANTAGE: PLYMOUTH





Convenient driver-side map pocket. (Available on Laser RS, RS Turbo, and RS Turbo AWD with power windows.)



Premium AM stereo*/FM stereo radio/cassette player with seven-band equalizer, and more. (See page 17 for package availability.)



Front motorized passive restraints with manual active lap belts and rear lap/shoulder belts hold occupants safely.



LASER RS TURBO'S COCKPIT DELIVERS CONFIDENT CONTROL. THE INTERIOR WELCOMES YOU WITH CLOTH HIGH-BACK BUCKET SEATS (SHOWN RIGHT IN DARK AGATE) AND ADJUSTABLE DRIVER-SIDE LUMBAR SUPPORT. INCLUDES LEATHER-WRAPPED SPORT STEERING WHEEL, AVAILABLE AM STEREO*/FM STEREO RADIO/CASSETTE PLAYER WITH COMPACT DISC PLAYER, AND MORE. ADVANTAGE: PLYMOUTH.

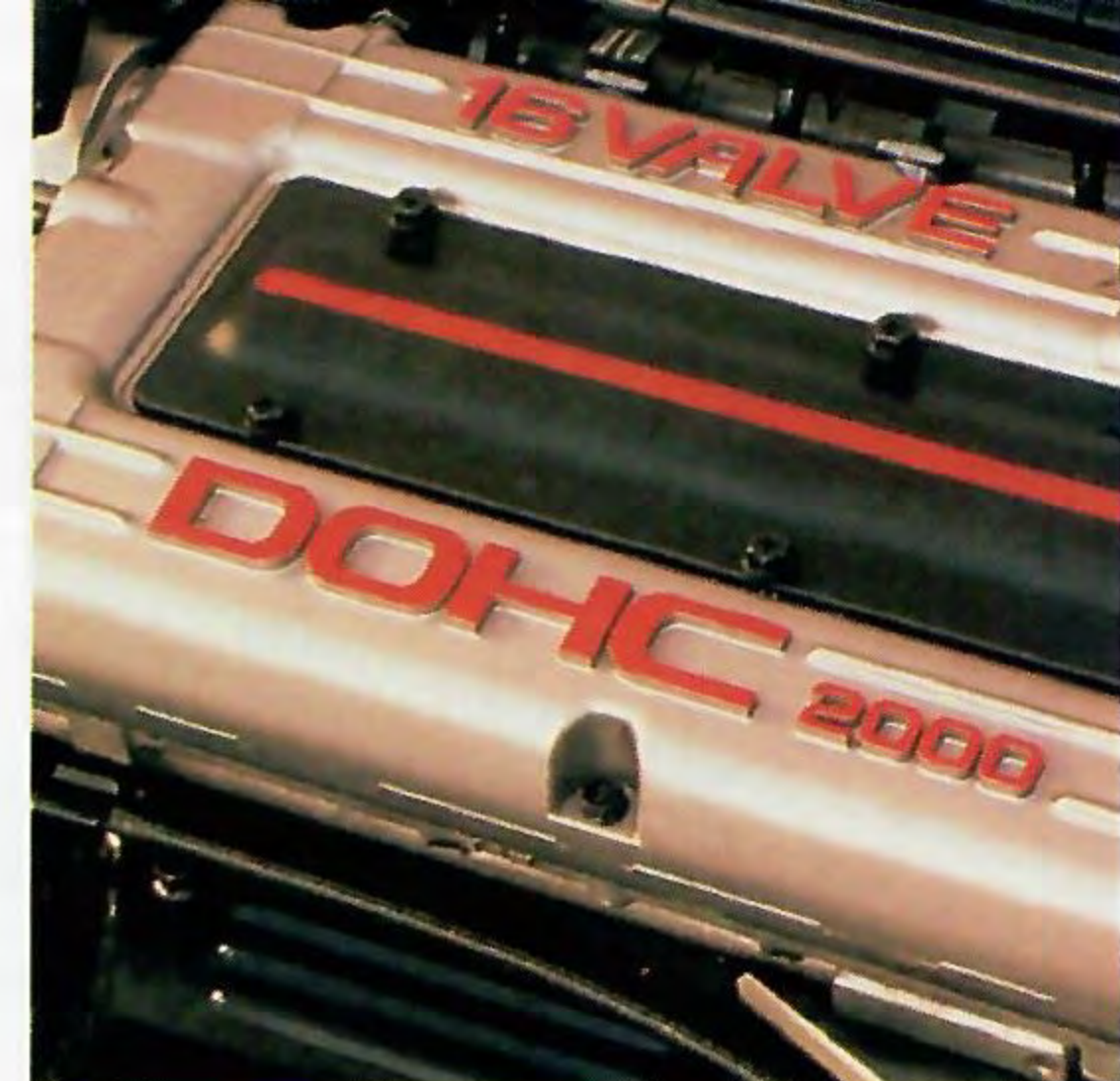
INSIDE MOVES



*Some AM stereo broadcasting may not be compatible with this radio.



Laser RS Turbo attains 0-60 mph in just 6.8 seconds. (Independent USAC tests conducted February 1991.)



2.0-liter DOHC 16-valve inter-cooled turbocharged MPI engine delivers 190 horsepower with five-speed manual transaxle.



New "high-performance" five-speed manual overdrive transaxle. (Standard on Laser RS Turbo and RS Turbo AWD.)



PLYMOUTH LASER RS TURBO PERFORMANCE TECHNOLOGY INCLUDES DUAL OVERHEAD CAMS AND FOUR VALVES PER CYLINDER FOR OUTSTANDING SMOOTHNESS, EFFICIENCY AND POWER. PERFORMANCE-TUNED FRONT INDEPENDENT MACPHERSON-TYPE STRUTS COUPLED WITH TRAILING BEAM REAR SUSPENSION LET YOU MANEUVER THROUGH TURNS WITH PRECISE CONTROL. ADVANTAGE: PLYMOUTH. NEW FOR 1992, THE EYE-CATCHING CRIMSON RED INTERIOR (SHOWN ABOVE).

THINK FAST



Plymouth Laser RS Turbo, with new standard rear spoiler*, shown in Bright White Clear Coat. *Available February 1992.



Security alarm option provides a pocket-size remote door lock/unlock, panic button, and more. (Dealer-installed.)



Available four-speed automatic transaxle includes safety interlock feature. (Not available on Laser RS Turbo AWD.)

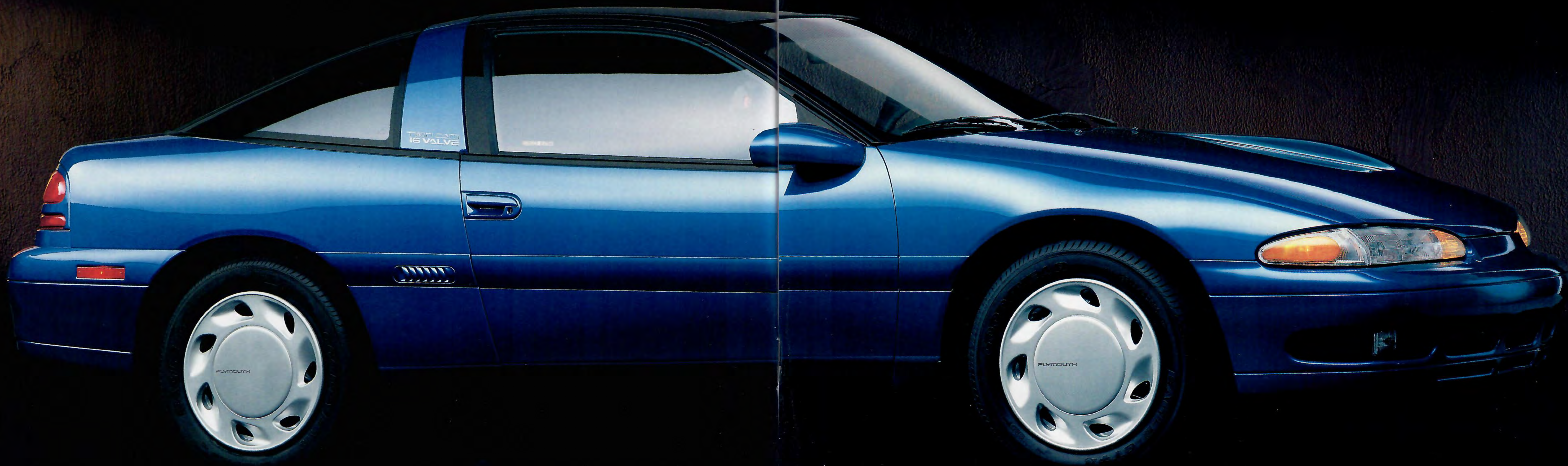


Split fold-down rear seats offer versatility and over 25 cubic feet of room when down. (Laser RS Turbo AWD, 22.4 cubic feet.)

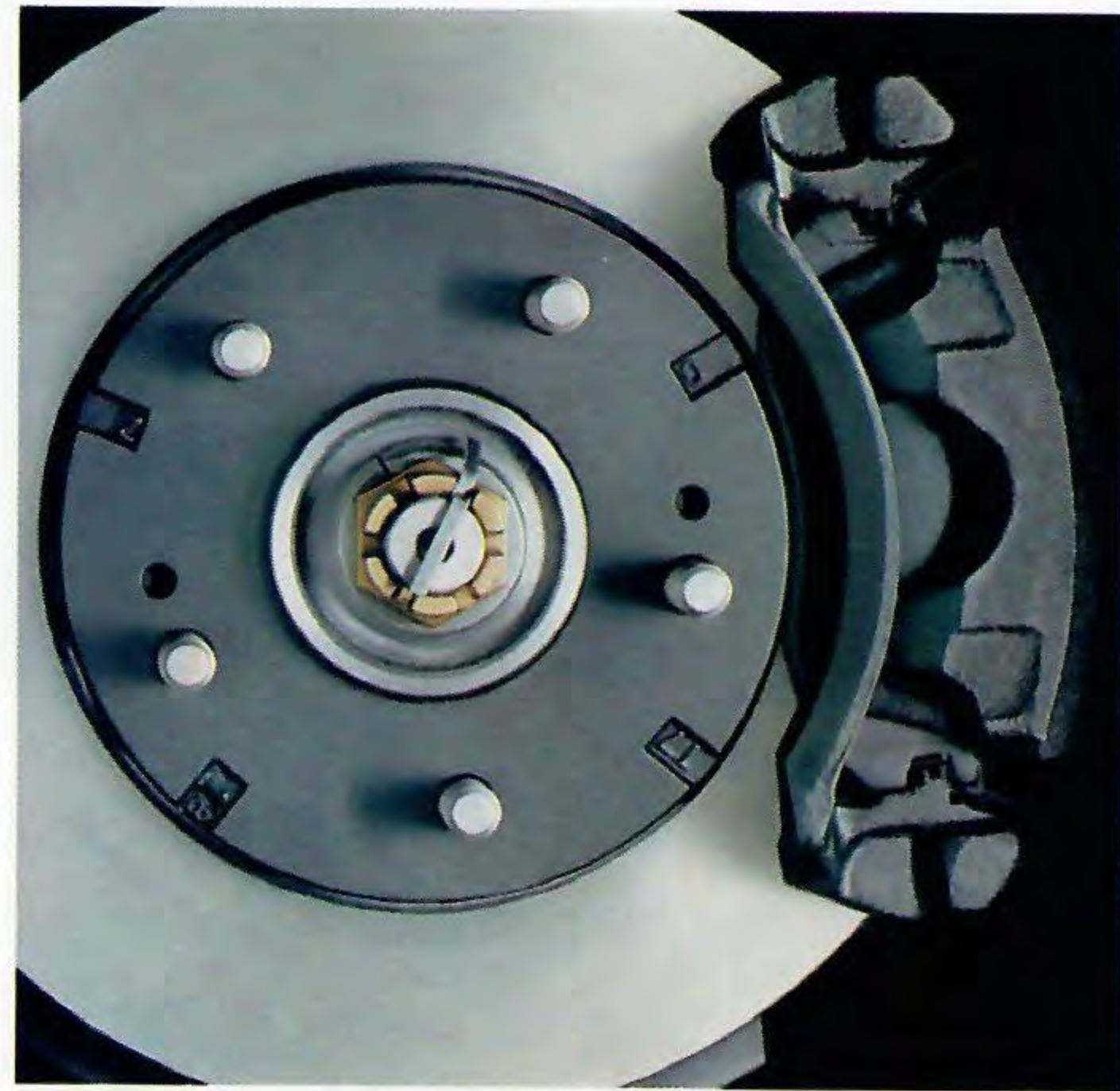


NONSTOP ADVENTURE. PLYMOUTH LASER RS GIVES DRIVING ENTHUSIASTS AN AGGRESSIVE 2.0-LITER DOHC 16-VALVE MPI ENGINE, RACK-AND-PINION STEERING, FULL CENTER CONSOLE AND MORE. THE BASE LASER (SHOWN RIGHT) OFFERS A RESPONSIVE 1.8-LITER SOHC (SINGLE OVERHEAD CAM) MPI ENGINE AND FOUR-WHEEL DISC BRAKES. ALL LASERS HAVE A STANDARD STAINLESS STEEL EXHAUST SYSTEM FOR DURABILITY AND LONG LIFE. ADVANTAGE: PLYMOUTH.

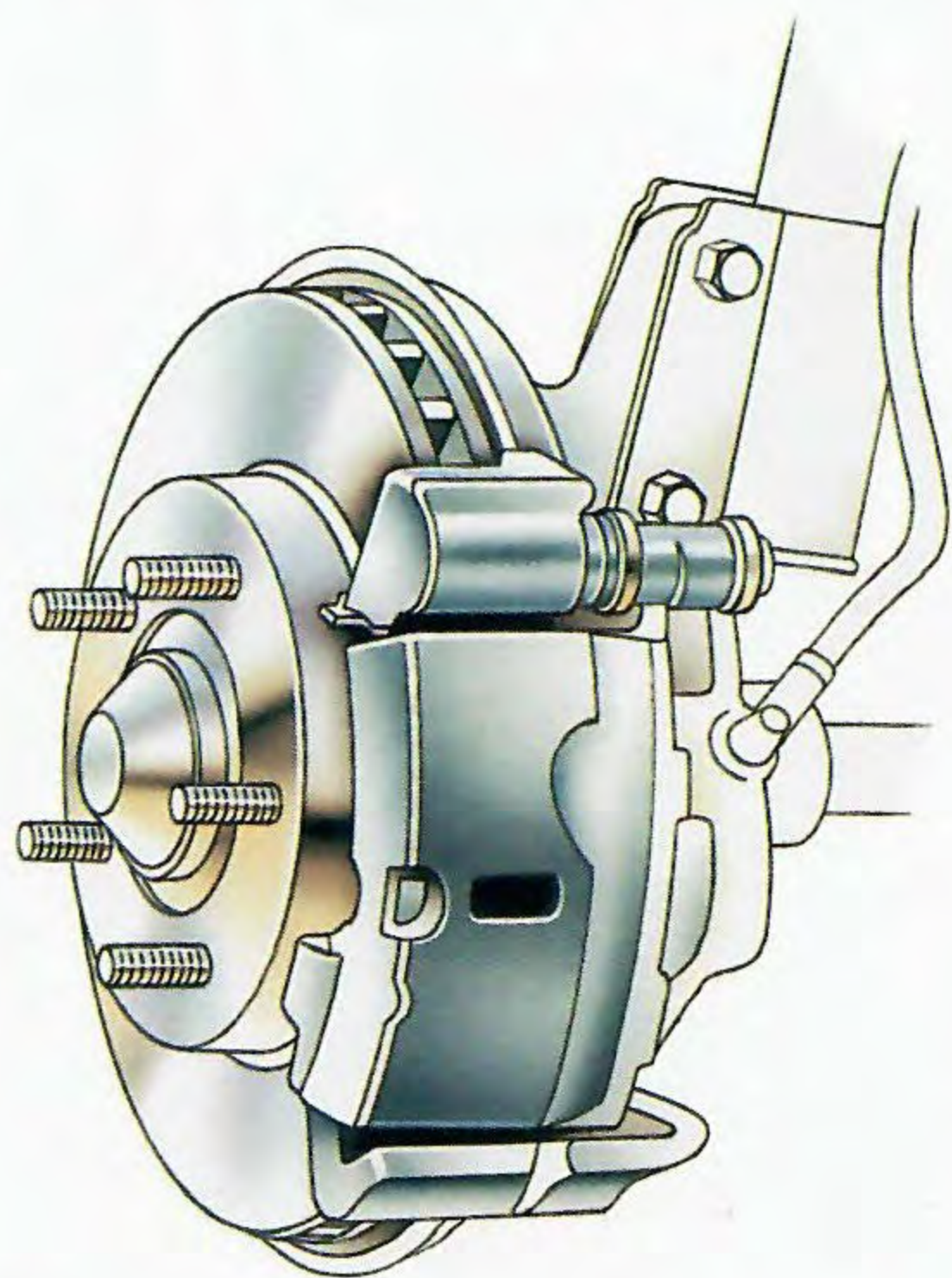
POWER PLAY



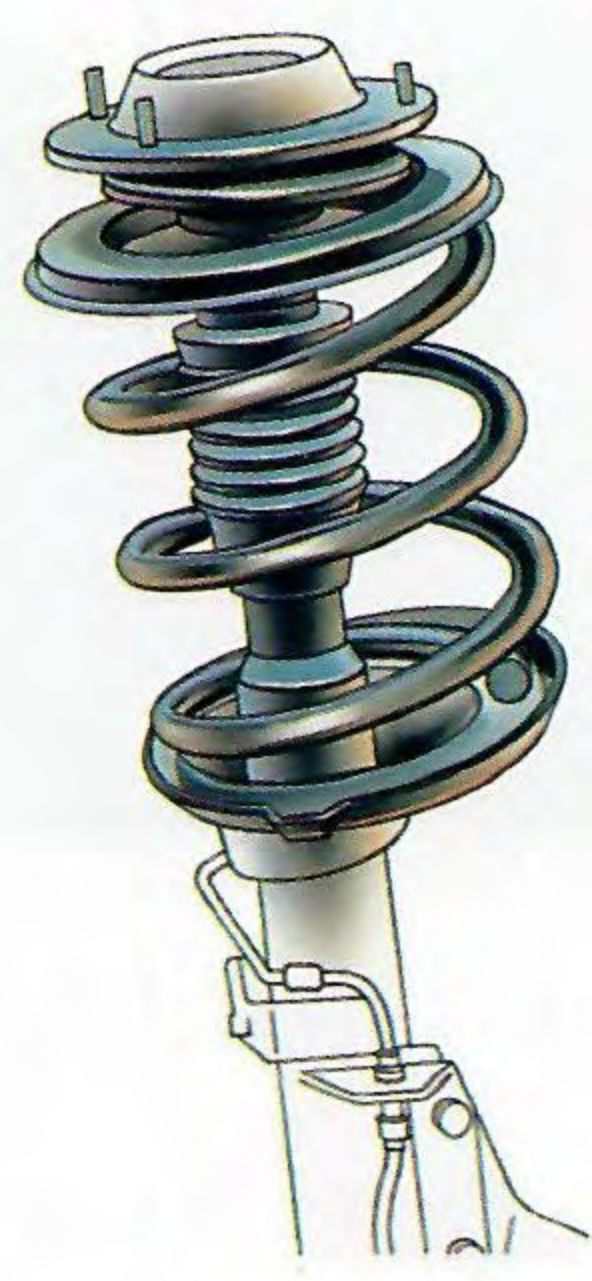
Plymouth Laser RS, shown in Electric Blue Metallic Clear Coat.



Four-wheel antilock brakes improve stability by electronically sensing wheel rotation and "pumping" the brake pressure to help prevent wheel lockup. (Available on Laser RS, RS Turbo, and RS Turbo AWD.)

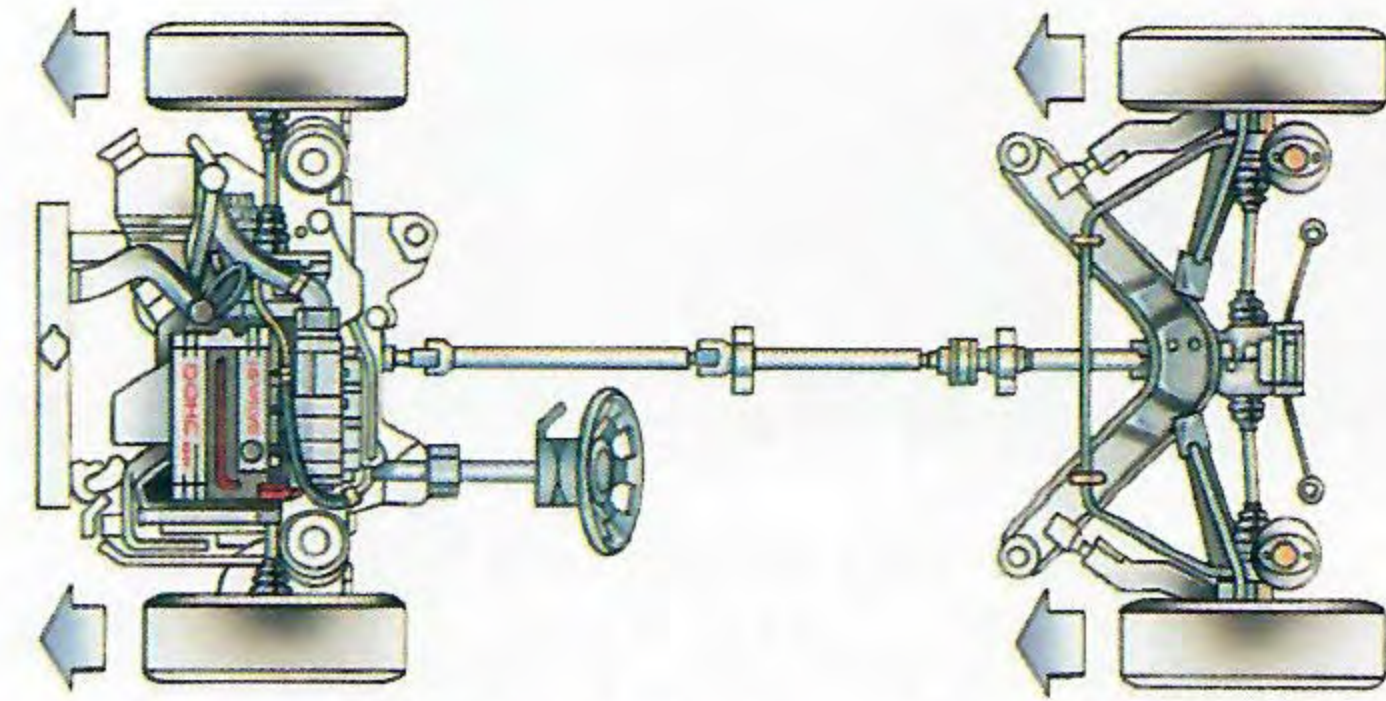


Power-assisted four-wheel disc brakes allow confident control and firm stops. The vented front and solid rear discs produce a combined brake swept area of more than 381 square inches. (Standard on all Laser models.)



(Standard on Laser RS Turbo.)

Performance-tuned suspension system includes increased front spring rates and a solid, double ball-joint linked sway bar. Rear suspension utilizes shock damping and increased spring rates.



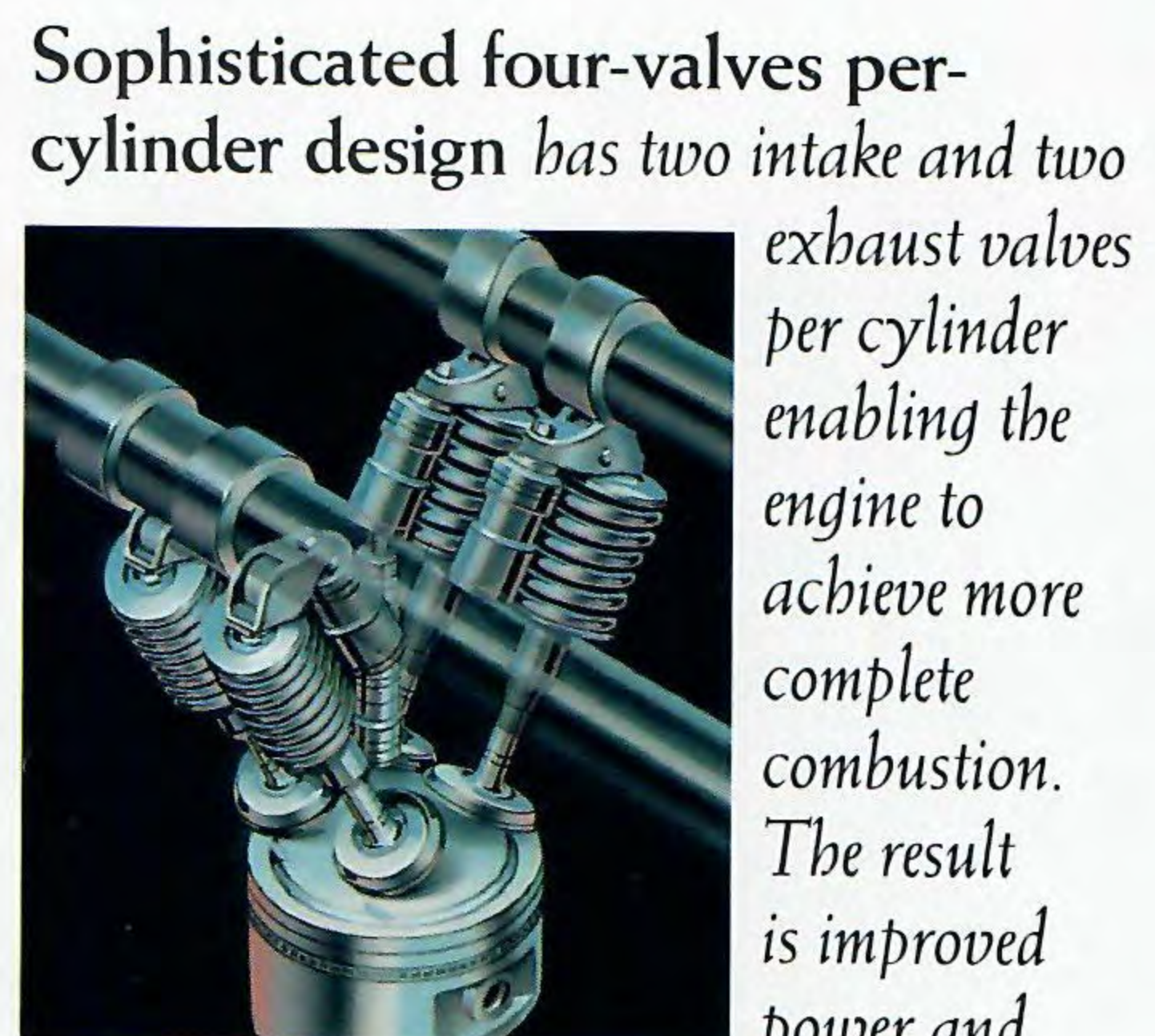
New Laser RS Turbo AWD model has full-time All-Wheel Drive that evenly distributes engine torque to all four wheels for improved traction, stability, and acceleration. The fully independent "Enthusiast" suspension system features a rear double wishbone design with trailing arms.



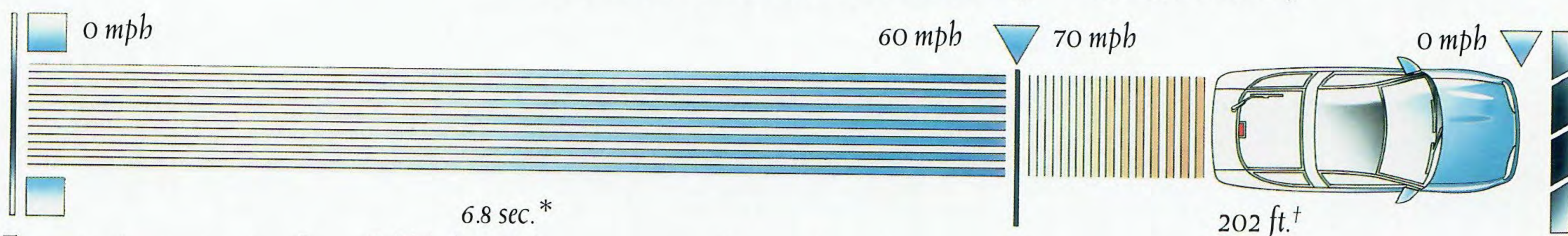
15.8:1-ratio power-assisted steering provides quick, responsive handling and a firm feel of road surfaces.



New "high-performance" five-speed manual overdrive transaxle has improved gear ratios and a larger transfer case to better handle the power of Laser's turbo engine. Clutch/ignition safety interlock feature permits engine starting only with clutch fully depressed. (Standard on Laser RS Turbo and RS Turbo AWD.)

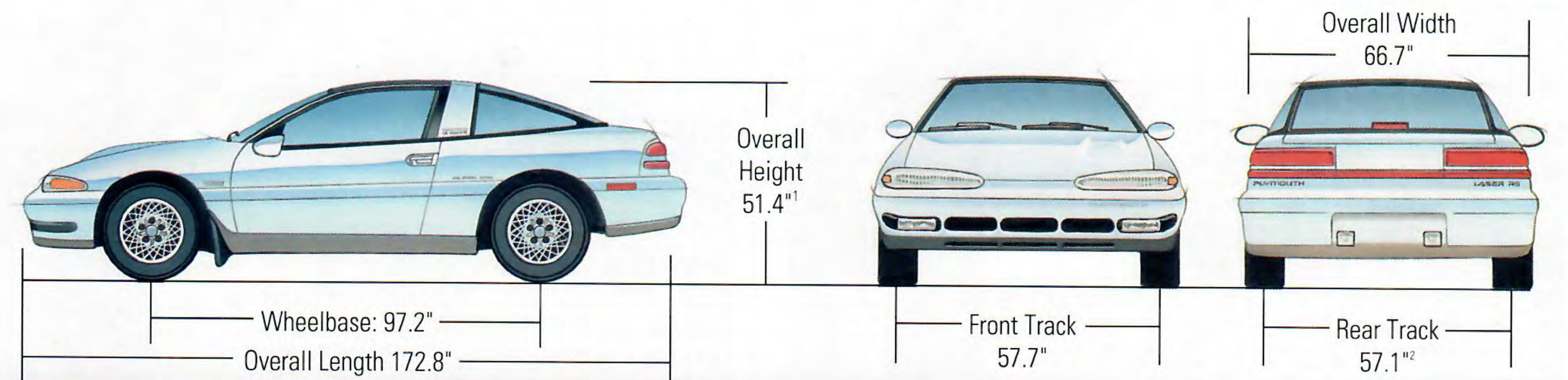


Sophisticated four-valves per-cylinder design has two intake and two exhaust valves per cylinder enabling the engine to achieve more complete combustion. The result is improved power and efficiency for smooth engine operation. (Standard on Laser RS, RS Turbo, and RS Turbo AWD.)



From starting to stopping, Laser RS Turbo exhibits superior numbers on the performance spectrum.

*Based on independent USAC tests conducted February 1991. †Car & Driver independent test, October 1990 issue.



DIMENSIONS

EXTERIOR	
Overall Height (in.)	51.4 ¹
Overall Width (in.)	66.7
Overall Length (in.)	172.8
Wheelbase (in.)	97.2
Rear Track (in.)	57.1 ²
Front Track (in.)	57.7
INTERIOR	
Head Room — Front (in.)	37.9
— Rear (in.)	34.1
Leg Room — Front (in.)	43.9
— Rear (in.)	28.5
Shoulder Room — Front (in.)	53.9
— Rear (in.)	52.4
Hip Room — Front (in.)	55.1
— Rear (in.)	45.7

SPECIFICATIONS

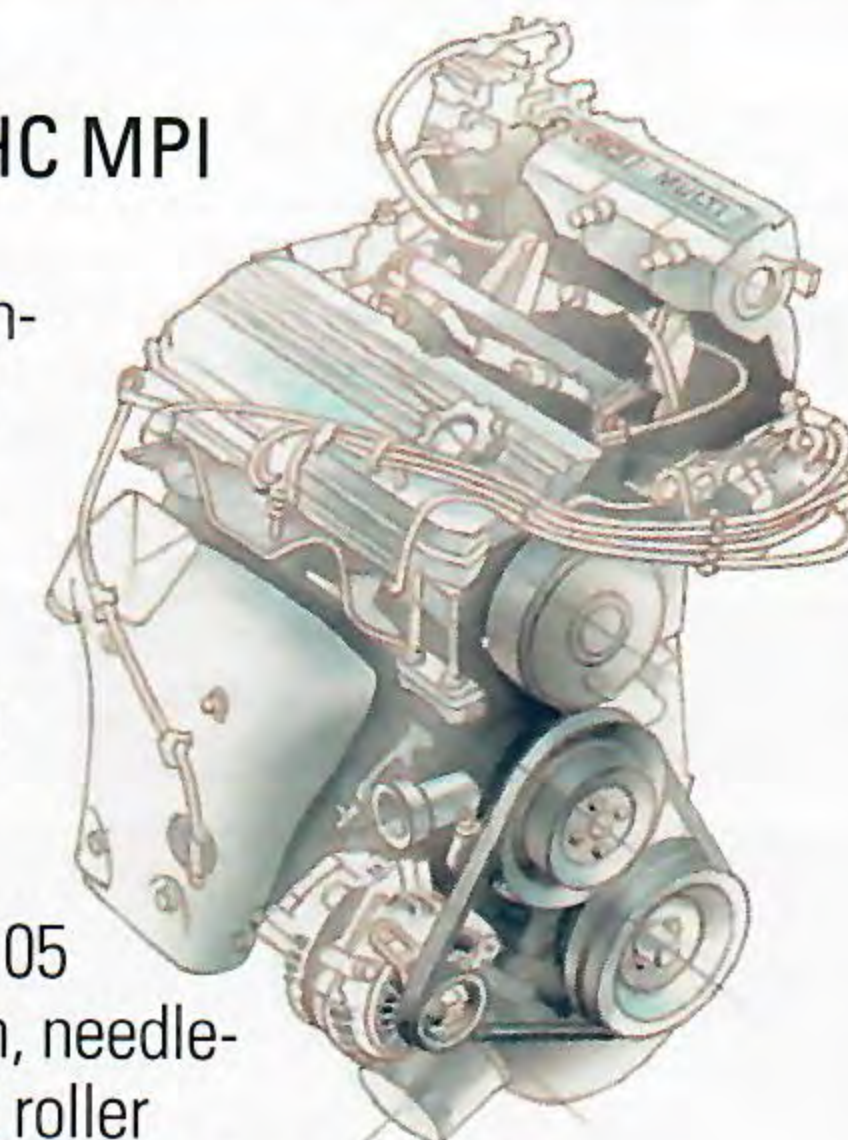
Turning Diameter (curb-to-curb)	
— Base Laser (ft) (manual steering)	34.1
— Laser RS, RS Turbo (ft) (power steering)	35.4
Curb Weight (lbs) (with standard transaxle)	
Laser	2,531
Laser RS	2,690
Laser RS Turbo	2,756
Laser RS Turbo AWD	3,073
Cargo Capacity (cu ft)	
—rear seat up	10.2 ³
—rear seat down	25.7 ⁴
Passenger Capacity	4
Fuel Capacity (gal)	15.8

¹ AWD model is 52.0
² AWD model is 57.3
³ AWD model is 6.9
⁴ AWD model is 22.4

POWER TRAINS

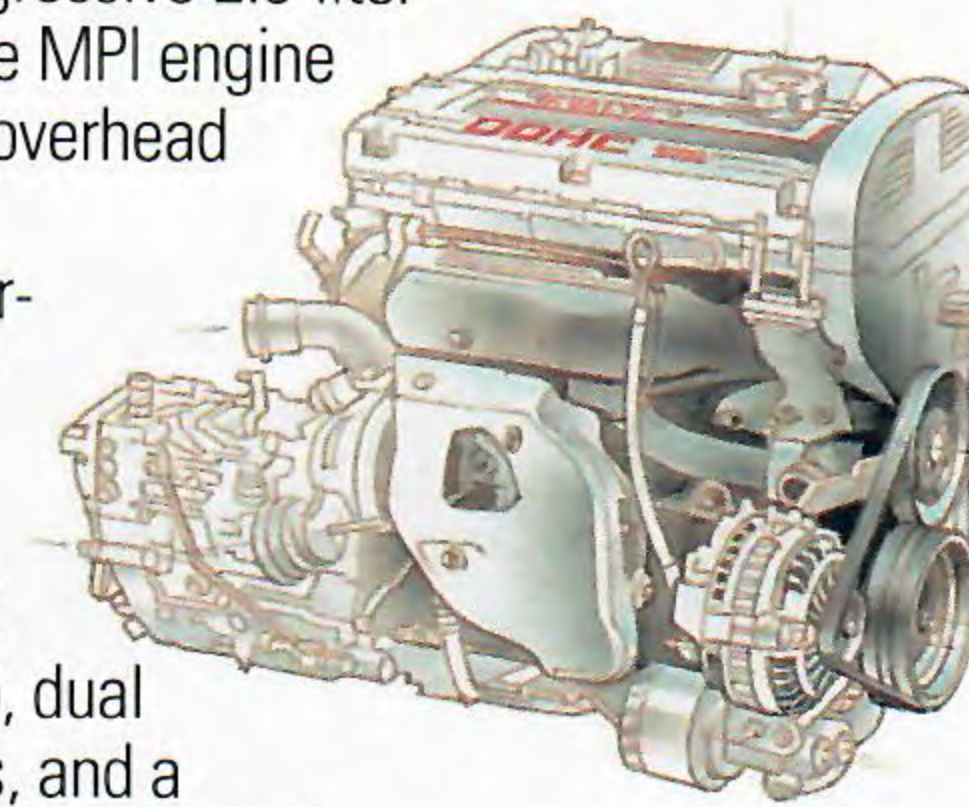
1.8-LITER SOHC MPI ENGINE

Laser's 1.8-liter in-line four-cylinder engine features multipoint electronic fuel injection (MPI), a single overhead cam (SOHC), a torque rating of 105 lb-ft @ 3,500 rpm, needle-bearing-mounted roller rocker arms with automatic valve lash adjustment and vibration-dampening dual balance shafts.



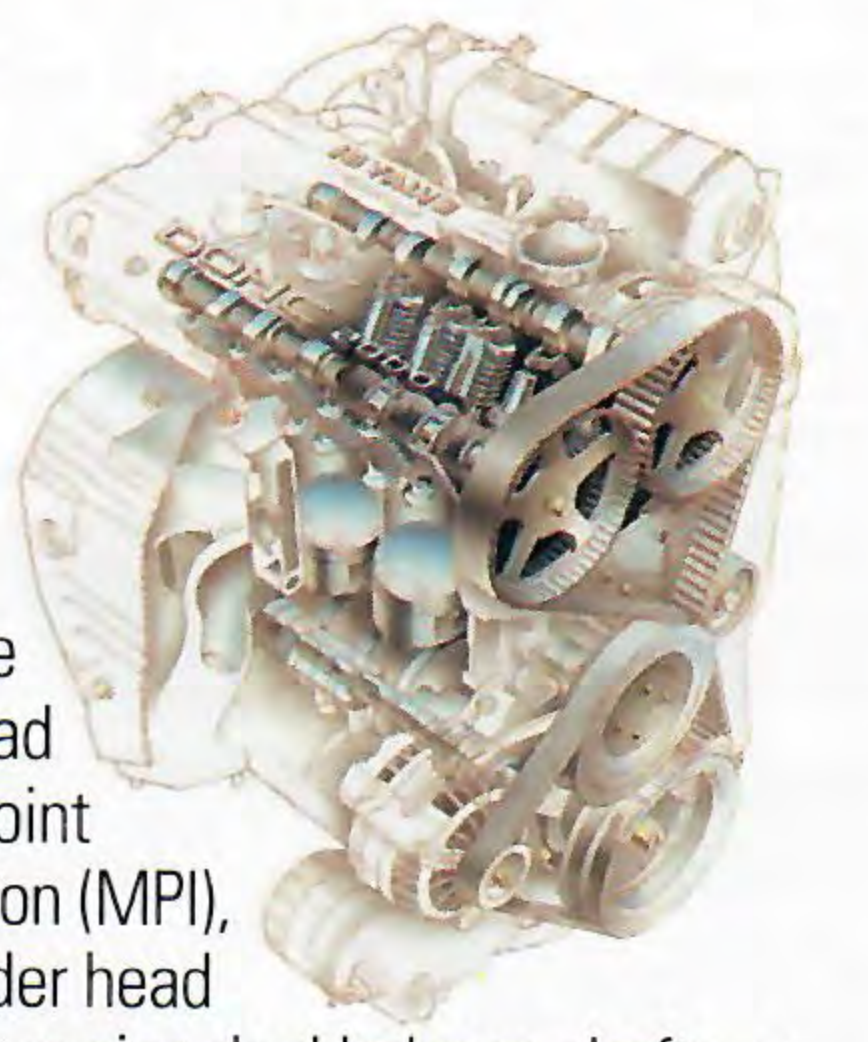
2.0-LITER DOHC 16-VALVE MPI ENGINE

Laser RS's aggressive 2.0-liter DOHC 16-valve MPI engine includes dual overhead cams (DOHC), four valves-per-cylinder head design, multipoint electronic fuel injection (MPI), dual balance shafts, and a significant torque rating of 125 lb-ft @ 5,000 rpm.



2.0-LITER DOHC 16-VALVE MPI INTERCOOLED TURBOCHARGED ENGINE*

Laser RS Turbo and RS Turbo AWD's 16-valve turbo engine features dual overhead cams (DOHC), multipoint electronic fuel injection (MPI), four-valves-per-cylinder head design, vibration-dampening dual balance shafts, a turbocharger that aids in generating high torque (203 lb-ft @ 3,000 rpm) and horsepower, and an intercooler to produce cool, dense intake air.



*Premium unleaded fuel recommended. Turbocharged engine not recommended for trailer towing, and such use may damage engine and invalidate warranty. See your dealer for details.

TYPE ¹	DISPLACEMENT	BORE & STROKE	COMPRESSION RATIO	HORSEPOWER/TORQUE		TRANSAXLE AVAILABILITY
				SAE NET@RPM		
4-cylinder SOHC MPI: standard Laser only	1.8-liter (107 CID)	3.17" x 3.39"	9.0:1	92 hp @ 5,000	105 lb-ft @ 3,500	5-speed close-ratio manual overdrive (3.27 OTGR): standard 4-speed electronically controlled automatic (2.75 OTGR): optional
4-cylinder DOHC 16-valve MPI: standard Laser RS only	2.0-liter (122 CID)	3.35" x 3.46"	9.0:1	135 hp @ 6,000	125 lb-ft @ 5,000	5-speed close-ratio manual overdrive (3.27 OTGR): standard 4-speed electronically controlled automatic (2.75 OTGR): optional
4-cylinder ² DOHC 16-valve MPI turbocharged with intercooler: standard Laser RS Turbo & Turbo AWD only	2.0-liter (122 CID)	3.35" x 3.46"	7.8:1 (11.1 psi max ³ boost pressure)	190 hp @ 6,000 (2WD) ⁴ 195 hp @ 6,000 (AWD)	203 lb-ft @ 3,000 ⁴	5-speed close-ratio manual overdrive (3.08 OTGR): standard 4-speed electronically controlled automatic (2.75 OTGR): optional on RS Turbo only

OTGR—Overall top gear ratio. ¹Emissions controls and testing required at extra cost on all vehicles registered in California. Not available otherwise. ²Premium unleaded fuel recommended. Trailer towing is not recommended for vehicles equipped with turbocharged engines. Such use may damage engine and invalidate warranty. ³Boost pressure varies with engine loads and rpm. ⁴Four-speed automatic transaxle ratings: 180 hp @ 5,500; 195 lb-ft @ 3,000.

LASER STANDARD AND OPTIONAL EQUIPMENT

FUNCTIONAL

	LASER	LASER RS	LASER RS TURBO	LASER RS TURBO AWD
Alternator—Heavy-duty	S	S	S	S
Antilock Brake System—Electronically controlled	NA	O	O	O
Battery—Maintenance-free, 12-volt, 430 cold cranking amps	S	S	S	S
Brake—Parking: hand-operated, center console	S	S	S	S
Brakes—Four-wheel disc, vented front/solid rear: power-assisted	S	S	S	S
Emissions Controls and Testing—Required at extra cost on all vehicles registered in California (not available otherwise)	O	O	O	O
Engine—1.8-liter MPI	S	NA	NA	NA
Engine—2.0-liter, 16-valve DOHC MPI	NA	S	NA	NA
Engine—2.0-liter, 16-valve DOHC turbocharged and intercooled MPI	NA	NA	S	S
Exhaust System—Performance-tuned stainless steel	NA	S	S	S
Exhaust System—Stainless steel	S	NA	NA	NA
Front-Wheel Drive	S	S	S	NA
Fuel Tank—15.8-gallon with tethered gas cap	S	S	S	S
Jack—Scissors-type	S	S	S	S
Starter—Standard	S	NA	NA	NA
Starter—Heavy-duty	NA	S	S	S
Steering—Rack-and-pinion (23.8:1): manual	S	NA	NA	NA
Steering—Rack-and-pinion (15.8:1): power-assisted	P	S	S	S
Suspension—Front: MacPherson-type struts with coil springs and stabilizer bar				
—Sport	S	NA	NA	NA
—Performance	NA	S	S	NA
—Enthusiast (upgraded springs, struts and stabilizer bar)	NA	NA	NA	S
Suspension—Rear: Rigid axle with trailing arms, coil springs	S	S	S	NA
—Double wishbone independent with upgraded springs and stabilizer bar	NA	NA	NA	S
Tire—Spare: compact, limited service	S	S	S	S
Tires—P185/70R14 black sidewall, all-season (set of four)	S	NA	NA	NA
Tires—P205/55R16 black sidewall all-weather performance-handling (set of four)	NA	S	NA	NA
Tires—P205/55R16 black sidewall all-weather performance-handling speed-rated (set of four)	NA	NA	S	S
Transaxle—Five-speed manual with clutch interlock	S	S	S	S
Transaxle—Four-speed automatic with economy/power mode switch and shift lock	P	P	P	NA

EXTERIOR

Bumpers—Impact-resistant	S	S	S	S
Corrosion Protection—Extensive use of galvanized steel and lower body antichip coating	S	S	S	S
Fascias—Front and rear: body color	S	S	NA	NA
Fascias—Two-tone appearance	NA	NA	S	S
Fog Lamps	NA	NA	P	P
Glass—Tinted, all windows with windshield sunshade band	S	S	S	S
Headlights—Halogen: aerotype with headlight/parklight "ON" reminder chime	S	S	S	S
Hood—Power dome	S	S	S	S
Mirrors—Dual manual remote control: black	S	NA	NA	NA
Mirrors—Dual power remote control: body color	NA	S	S	S
Molding—Bodyside: 360° protective	S	S	S	S
Roof—Body color	S	NA	NA	NA
Roof—Black with body color targa band	NA	S	S	S
Sill Applique—Gray metallic	NA	NA	S	S
Spoiler—With integral center stoplight (available Feb. 1992)	NA	NA	S	S
Sunroof—Removable, flip-up: includes air deflector, sunshade, cargo compartment tie-down straps, and vinyl storage bag	O	O	O	O
Wheel Covers—Deluxe 14-inch (set of four)	P	NA	NA	NA
Wheel Covers—Turbine 16-inch (set of four)	NA	S	S	NA
Wheels—Lace alloy 16-inch (set of four)	NA	O	O	S
Wheels—Styled-steel 14-inch (set of four)	S	NA	NA	NA

INTERIOR

Air Conditioning ¹ —Manual with two-position compressor operation	P	P	P	P
Carpeting—Passenger and cargo area	S	S	S	S
Clock—Digital (integral with radio)	S	S	S	S

INTERIOR (cont.)

	LASER	LASER RS	LASER RS TURBO	LASER RS TURBO AWD
Cellular Phone ² —Portable; dealer-installed	O	O	O	O
Coat Hooks—Dual, rear seat	S	S	S	S
Coin Box—Flocked lining	S	S	S	S
Compact Disc Player System—Includes AM stereo ³ /FM stereo cassette and premium audio system; dealer-installed	NA	O	O	O
Console—Full center with storage bin	S	NA	NA	NA
Console—Full center with armrest cover and storage bin	NA	S	S	S
Cup Holders—Located on console	P	P	P	P
Defroster—Rear window: electric (required on all passenger vehicles registered in New York state)	O	S	S	S
Demisters—Side window	S	S	S	S
Door Trim—Deluxe, soft-feel	NA	S	S	S
Floor Mats—Front	P	P	P	P
Fuel Door Release—Cable-operated remote control	S	S	S	S
Glove Box—Locking	S	S	S	S
Heater and Defroster—With dual mode bi-level ventilation	S	S	S	S
Hood Release—Cable-operated remote control	S	S	S	S
Horn—Single-note	S	NA	NA	NA
Horn—Dual-note	NA	S	S	S
Instrument Cluster—Analog speedometer; electromechanical: tachometer, odometer, trip odometer; gauges for engine coolant temperature, engine oil pressure, fuel level, and turbo boost gauge (if equipped); warning lights, and symbols for speed control "on," overdrive "off" (auto, transaxle only), door/liftgate ajar, turn signal indicator arrows, high beams "on," brake system failure, parking brake on, ABS warning (if equipped), check engine, low coolant level, electrical system, low fuel level, and seat belt reminder	S	S	S	S
Liftgate Release—Cable-operated remote control	S	S	S	S
Lighter—Console-mounted for power accessories	S	S	S	S
Lights—Cargo area; cigar lighter, glove box, ignition, illumination delay interior, overhead console	S	S	S	S
Map Pocket—Driver's door (when power windows and locks are ordered)	NA	P	P	P
Mirror—Rearview: day/night	S	S	S	S
Multifunction Control Lever—Left: includes controls for turn signals with lane change feature, headlight dimmer, day/night flash/pass feature	S	S	S	S
Multifunction Control Lever—Right: includes controls for wiper/washer and speed control (if so equipped)	S	S	S	S
Power Windows/Locks—Also includes map pocket	NA	P	P	P
Radio—AM/FM stereo: electronically tuned; four-speaker sound; integral digital clock	S	NA	NA	NA
Radio—AM/FM stereo: electronically tuned; cassette tape player; eight speakers in six locations; integral digital clock	O	S	S	S
Radio—Compact disc player, premium AM stereo ³ /FM stereo: electronically tuned; cassette tape player; eight speakers in six locations; integral digital clock	NA	O	O	O
Radio—Premium AM stereo ³ /FM stereo: electronically tuned; seven-band graphic equalizer, cassette tape player with logic-controlled transport; eight speakers in six locations; integral digital clock	NA	P	P	P
Restraint System—Front motorized passive shoulder belts with active lap belts; rear three-point active shoulder and lap belts	S	S	S	S
Seats—Front, high-back reclining bucket: cloth; rear, split-folding: cloth and vinyl trim	S	NA	NA	NA
Seats—Front, high-back reclining bucket with driver-side adjustable lumbar support: cloth; rear, split-folding: cloth insert	NA	S	S	S
Shift Lever—Leather-wrapped	NA	NA	S	S
Speed Control	P	P	P	P
Steering Column—Tilt	S	S	S	S
Steering Wheel—Three-spoke, soft-feel	S	S	NA	NA
Steering Wheel—Three-spoke, leather-wrapped	NA	NA	S	S
Sun Visor—Dual vanity mirrors with covers	S	S	S	S
Tonneau Cover	P	S	S	S
Windshield Wipers—Deluxe: with variable intermittent wipe	S	S	S	S
Wiper/Washer—Liftgate	NA	P	P	P

S = Standard. O = Optional. Some items may also be available in Customer-PreferredSM Packages. See Customer-PreferredSM Packages and "Available Options" for availability. P = Package only. See Customer-PreferredSM Packages for availability. NA = Not available.
¹ There are special engine cooling requirements for field-installed air conditioning. Failure to follow these requirements may invalidate warranty. See your dealer for details.
² OKI[®] Telecom manufactures, services and is the warrantor of cellular phone systems available on selected Chrysler Corporation vehicles.
³ Some AM stereo broadcasting may not be compatible with this radio.

CUSTOMER-PREFERREDSM PACKAGES

ENGINES	TRANSAXLES	LASER				LASER RS & RS TURBO				LASER RS TURBO AWD			
1.8L MPI	5-Speed Manual	A	B	C	D								
	4-Speed Auto		B	C	D								
2.0L MPI	5-Speed Manual					E	F	G	H				
	4-Speed Auto						F	G	H				
2.0L TURBO	5-Speed Manual							G	H	M	N	P	Q
	4-Speed Auto							G	H				

All the above letter designations represent package group codes.

PACKAGE CONTENTS

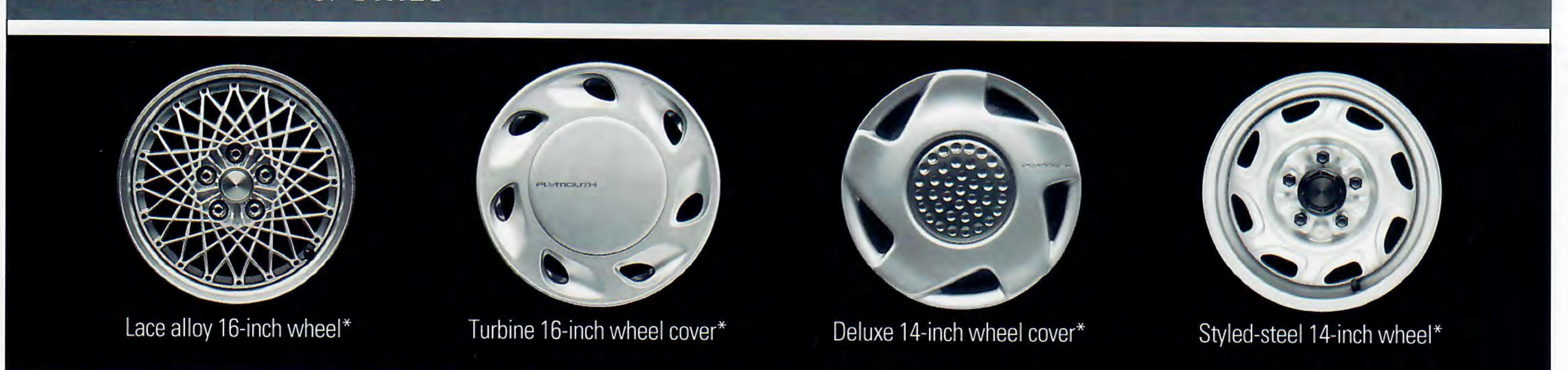
	LASER	LASER RS	LASER RS TURBO	LASER RS TURBO AWD
Air Conditioning ¹			•	•
Console Cup Holder		•	•	•
Defroster ² —Rear window	•	•	•	•
Fog Lamps			•	•
Mats—Floor	•	•	•	•
Power Steering	•	•	•	•
Power Windows/Locks ³			•	•
Radio—AM/FM cassette			•	•
Radio—AM/FM cassette with equalizer			•	•
Speed Control			•	•
Tonneau Cover	•	•	•	•
Wheel Covers	•	•	•	•
Wiper/Washer—Liftgate			•	•

AVAILABLE OPTIONS

	LASER	LASER RS	LASER RS TURBO	LASER RS TURBO AWD
Antilock Brakes				O
California Emissions ⁴	O	O	O	O
Compact Disc Player				O
Defroster ² —Rear window	O	P	P	P
Radio—AM/FM cassette		O	O	P
Sunroof		O	O	O
Wheels—Alloy				O

S = Standard. • = Included in package. O = Optional. Available only when corresponding Customer-PreferredSM Package is ordered. P = Included in Customer-PreferredSM Package listed above.
¹ There are special engine cooling requirements for field-installed air conditioning. Failure to follow these requirements may invalidate warranty. See your dealer for details.
² Required on all passenger vehicles registered in New York State.
³ Includes driver-side map pocket.
⁴ Required on all vehicles registered in California. Not available otherwise.

WHEELS/COVERS/TIRES



SIZE	TYPE (SET OF FOUR)	AVAILABILITY
P185/70R14	Steel-belted radial all-season tread, black sidewall	Standard Laser
P205/55R16	Steel-belted radial all-weather performance handling, black sidewall	Standard Laser RS
P205/55R16	Steel-belted radial all-weather performance handling, speed-rated black sidewall	Standard Laser RS Turbo and RS Turbo AWD
T125/70D15	Compact spare (one)	Standard all FWD without ABS
T125/80D16	Compact spare (one)	Standard all FWD with ABS
T125/90D16	Compact spare (one)	Standard Laser RS Turbo AWD

*See Standard and Optional Equipment Chart (page 16) for specific model availability.

SAFETY FEATURES

- Antitheft trunk lock and door lock inner guards
- Backup lights
- Brake fluid pressure loss warning light (also serves as indicator when parking brake is applied)
- Double ball-joint rearview mirror mount
- Dual braking system with separate brake fluid reservoirs in the master cylinder
- Dual outside rearview mirrors
- Electric windshield washers
- Energy-absorbing front and rear bumpers
- Energy-absorbing front seatbacks
- Energy-absorbing instrument panel and sun visors
- Energy-absorbing steering column
- Fade-resistant four-wheel disc brakes
- "Flash-to-Pass" optical horn
- Front seat head restraints
- Glare reduction measures for instrument panel, steering wheel, and windshield wipers
- Hazard warning flasher system
- Ignition and steering column lock
- Impact-actuated fuel supply shutdown relay
- Inside rearview mirror
- Interlocking door latches with driver manual override feature
- Key-left-in-ignition reminder
- Non-override passenger door lock
- Recessed inside door release handles
- Reinforced windshield header and roof
- Remote hatch release
- Resilient window crank knobs
- Safety-Rim wheels
- Seat belt reminder system
- Seatback latches on folding front seats
- Shatter-resistant glass
- Side door beams
- Side marker lights and reflectors
- Turn signals with lane-change feature
- Two-point motorized passive restraint system with color-keyed lap belt on driver and front passenger seats; three-point shoulder/lap belts for rear outboard passenger seats

COLORS

EXTERIOR	INTERIOR
Medium Quartz Metallic	Dark Agate Medium Quartz
Light Spectrum Blue Metallic	Dark Agate
Electric Blue Metallic	Dark Agate Medium Quartz
Bright White	Dark Agate Medium Quartz Crimson Red
Medium Red	Medium Quartz Crimson Red
Black	Dark Agate Medium Quartz
Radiant Red	Dark Agate Medium Quartz
Turquoise Metallic	Dark Agate Medium Quartz

Note: Clear Coat finish is standard on every 1992 Plymouth Laser.

SCHEDULED MAINTENANCE

Here is a partial list of Plymouth Laser's standard scheduled maintenance items (Turbo engine may vary). The complete list can be found in the Owner's Manual.

Laser with standard 1.8-liter engine.

Engine oil and filter change 7,500 miles or 12 months

Spark plug change each 30,000 miles

Air filter replacement each 30,000 miles

Engine coolant replacement each 30,000 miles or 2 years

For severe service maintenance schedule, refer to Owner's Manual.

MILEAGE*

23 EPA est. city mpg, 32 EPA est. hwy. mpg

*Mileage figures based on 1991 Laser base model with standard engine and 5-speed manual overdrive transaxle.

EXTERIOR COLORS



Medium Quartz Metallic



Light Spectrum Blue Metallic



Electric Blue Metallic



Bright White



Medium Red



Black



Radiant Red



Turquoise Metallic

NOTE: Due to printing limitations, the colors shown will vary slightly from actual hues. See your dealer for accurate color chips.

Chrysler Corporation Limited Warranty Protection

Every Chrysler Corporation vehicle comes with the protection of a Chrysler Corporation Limited Warranty. See your dealer for details.



MOPAR parts are engineered by Chrysler Corporation for use in your new Plymouth Laser. When replacement is necessary, be sure to specify MOPAR parts. Used by professional automotive technicians worldwide.

Chrysler Cellular Systems OKI® Telecom manufactures, services and is the warrantor of the Visorphone®, and Portable phone products that are available on selected Chrysler Corporation vehicles. See your dealer for a copy of the limited warranties. Restrictions apply.

*Visorphone is a registered trademark of Cartell, Inc.

Consider Leasing More consumers are considering leasing as an alternative to buying. Leasing a new Plymouth Laser usually involves a small security deposit and a first month's lease payment. Monthly payments frequently are less than financing a new car purchase. Ask your dealer for details.



Chrysler Credit Financing Chrysler Credit offers a variety of finance programs that can help make your new Plymouth Laser even more affordable. These flexible finance and lease programs can be tailored to suit your budget and your lifestyle. They include Advantage: Gold Key Lease, Gold Key Plus, College Graduate Plans, Retail Financing, and other special payment plans. Ask your salesperson for details.

Chrysler Purchase Assistance Program for the Physically Challenged

Cash reimbursements of up to \$500 are available for qualified adaptive driving devices on 1992 Chrysler Corporation cars and trucks. For further information, contact your dealer or the PHYSICALLY CHALLENGED RESOURCE CENTER at 1-800-255-9877.

All product illustrations and specifications are based upon current information at the time of publication approval. Although descriptions are believed correct, complete accuracy cannot be guaranteed. Chrysler Corporation reserves the right to make changes from time to time, without notice or obligation, in prices, specifications, colors and materials, and to change or discontinue models. See your dealer for the latest information.

Plymouth and MOPAR are registered trademarks, and Laser is a trademark of Chrysler Corporation.

Buckle up for safety.



ADVANTAGE: PLYMOUTH

