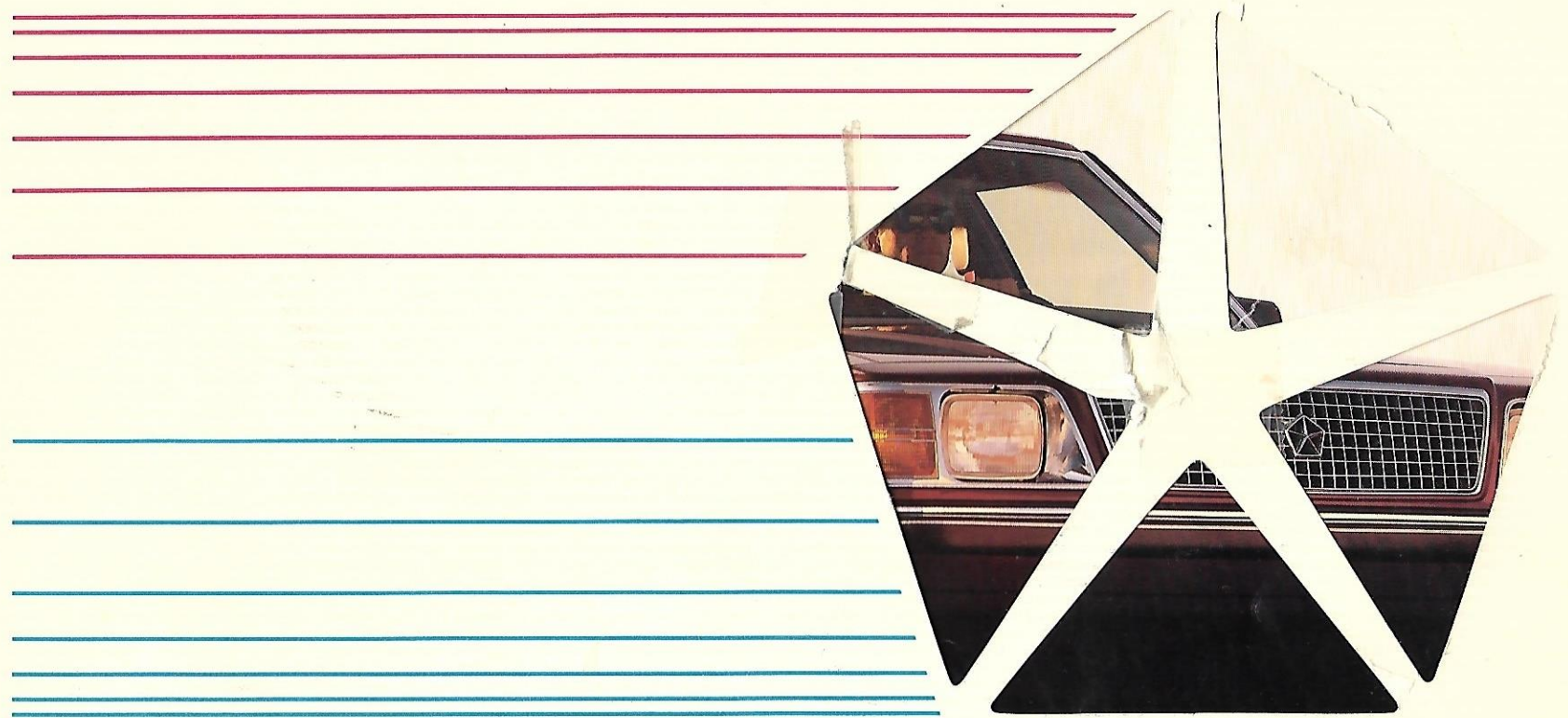
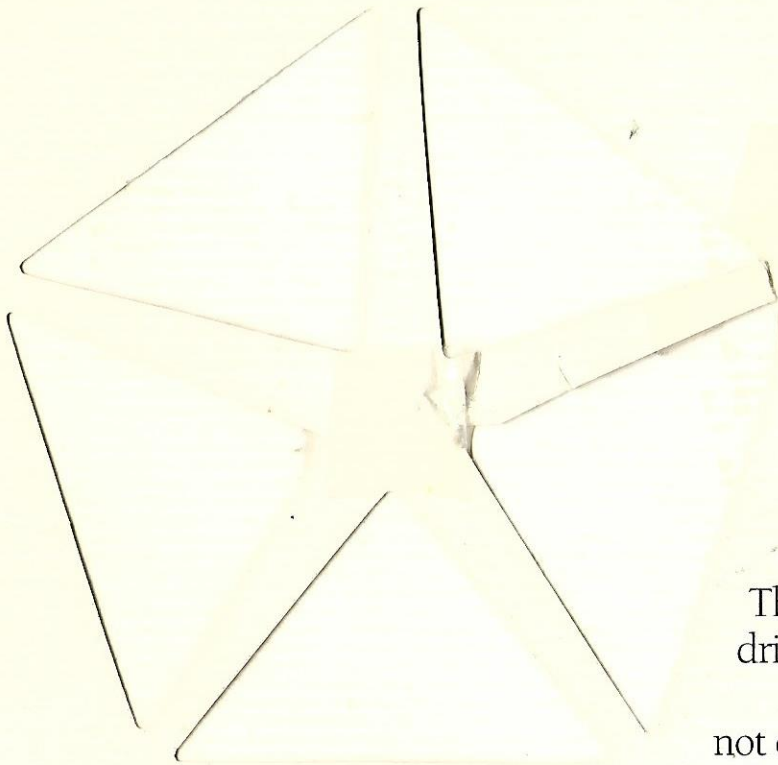


1988 PLYMOUTH RELIANT



THE PRIDE'S INSIDE.



There's a new spirit
driving Plymouth.

A spirit that's reflected
not only in contemporary
styling and laser-inspected

fits and finishes but also in state-of-the-art engineering and
solid construction.

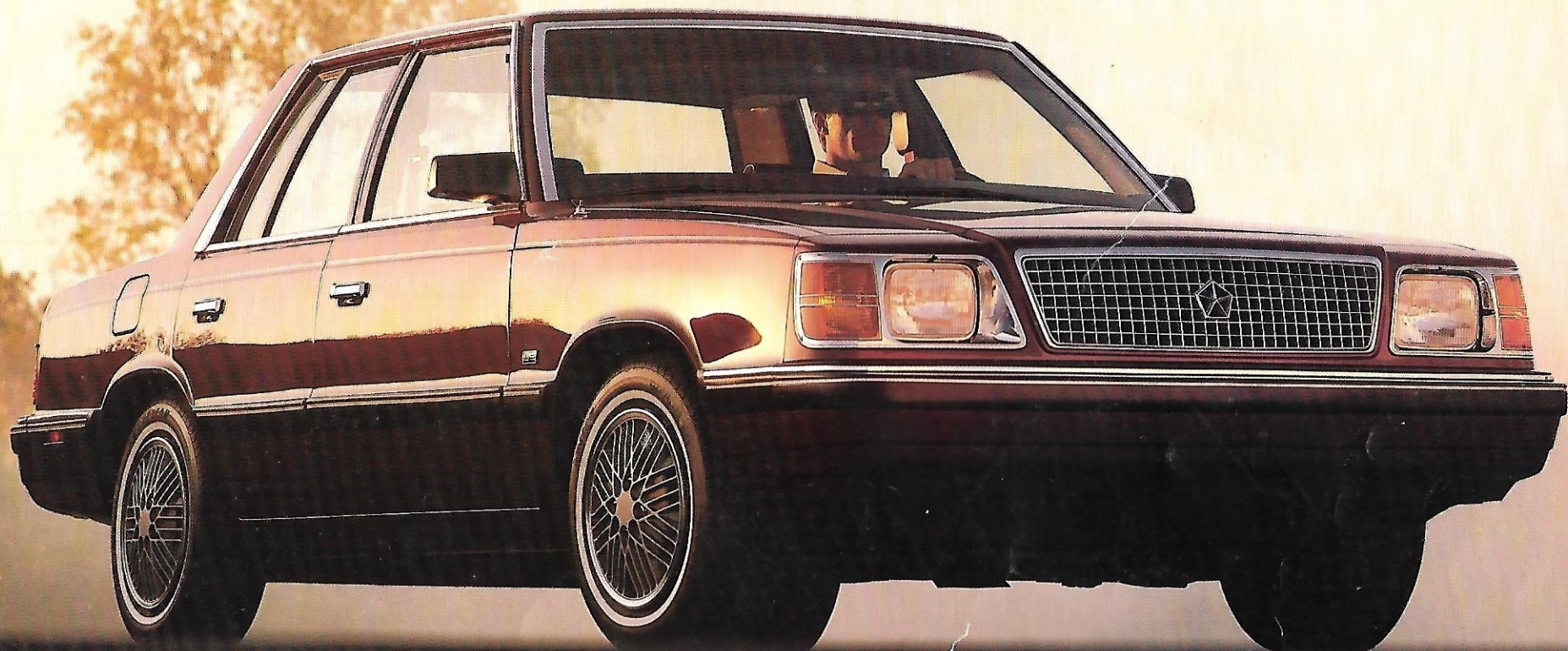
Plymouth offers vehicles you can believe in and a
tradition of value that goes back sixty years. They're honest,
affordable, and come well-equipped with dozens of standard
features. The kind you want. We build them with integrity.
And we back them with a quality commitment, one of the
best in the business—the 7/70 Limited Warranty.*

In short, The Pride's Inside.

You have my word on it.

Lee A. Jones

buyers a quality product that's fun to drive at a reasonable price. Case in point: the 1988 Reliant LE. One well-equipped model available in three different body styles: four-door sedan, two-door sedan and wagon.



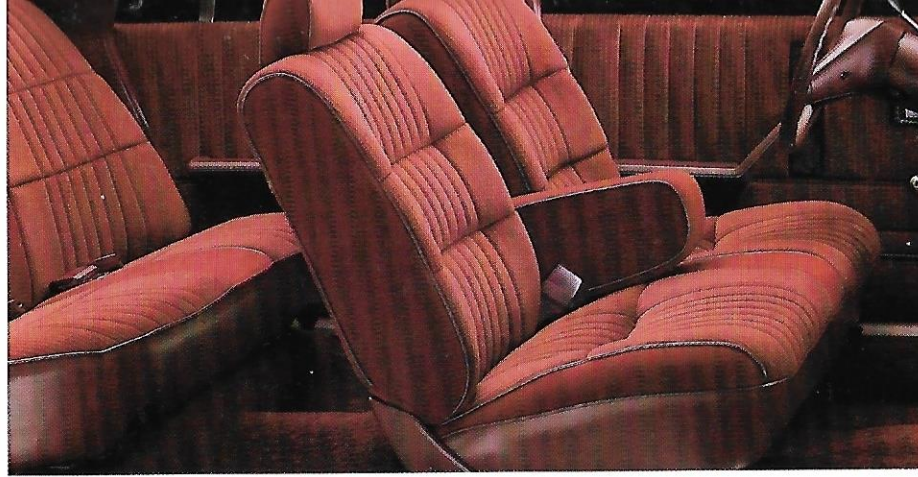
Reliant LE four-door sedan, shown in available Dark Cordovan Pearl Coat.

Every Reliant LE is a complete car, with over fifty comfort

Reliant America Four-Door

The **all-American family car**. The stylish 1988 Plymouth Reliant four-door sedan is loaded with value.





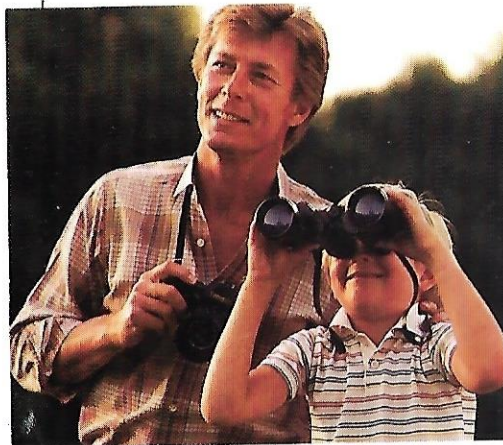
Reliant offers the room, ride, comfort, and convenience features you expect from Plymouth. Room for up to six passengers. Front-wheel drive. A 15-cubic-foot trunk. A smooth, quiet ride, thanks to a dual-path Iso-Strut front suspension system with surrounding coil springs. And convenience items such as a map/reading light, intermittent windshield wipers, and an electronically tuned AM radio with integral digital clock standard. Refinements under the hood include an electronic lockup torque converter with the available automatic transaxle for more efficient operation. Plus engine design advancements that give Reliant an even quieter interior.



Reliant America Two-Door

A great choice. The Reliant two-door provides sporty flair without giving up traditional room and value.





Reliant two-door gives you plenty of choices. For power, a 2.2-liter or 2.5-liter engine. For transaxles, a standard five-speed manual overdrive or an available three-speed automatic with electronic lockup torque converter for improved fuel economy. For room and comfort, bucket seats with driver and front seat passenger reclining seatbacks and adjustable head restraints, or a no-charge optional full-width front bench seat for six-passenger room.

You'll find informative driver instrumentation including engine coolant temperature and fuel gauges, an engine low oil pressure light, trip odometer, and voltmeter.

Reliant LE two-door. Personal, yet complete. Built and backed with integrity.

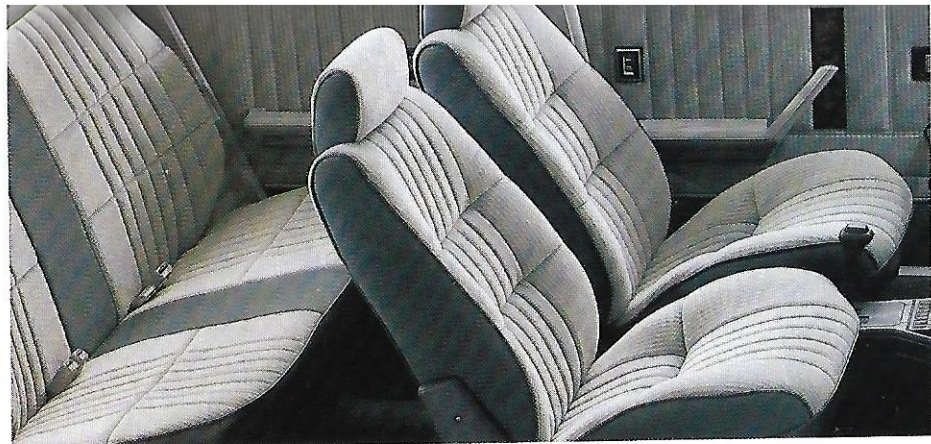
*Top: Driver-designed instrument panel.
Bottom: Front bucket seats, shown in Cordovan.*



Reliant America Wagon

Space when you need it. Our cleanly styled Reliant wagon has the passenger and cargo room you want.





The Reliant wagon puts the emphasis on family room. With the rear seatback down, there are 67.7 cubic feet of carpeted cargo room. Put the seatback up and you have room for three rear seat passengers and still nearly 35 cubic feet of cargo room. If you need to carry more, consider the optional roof-mounted luggage rack. An available tonneau cover protects and conceals your cargo.

Plymouth also knows how to protect your investment. With a standard stainless steel exhaust system. Lower body urethane coating and wide bodyside moldings. Extensive use of anti-corrosion materials. And 7/70 Limited Power Train Warranty protection.* It all adds up to built-in value that will last.

*See inside back cover for details.

Top: Reliant LE wagon interior, shown in Silver/Charcoal.

Left: Plenty of load space in a Reliant LE.

Bottom: Reliant LE wagon, shown in Radiant Silver Clear Coat.



Options

Although the Reliant is well-equipped, there are some options you may want to have to enhance your driving pleasure even more. Many are available in easy-to-order discount packages.

(A) **Tilt steering column** lets you adjust the wheel to individual driving comfort. (Available in Premium Equipment Discount Package only.)

(B) **Electronic speed control** can help reduce driver fatigue and improve fuel economy. (Available in Premium Equipment Discount Package only.)

(C) Floor-mounted console **three-speed automatic transaxle** is available with both Reliant engines. (Available in Popular Equipment Discount Package only.)

(D) **Fourteen-inch sport wheel covers** are standard on Reliant LE wagon, optional on four- and two-door sedans. (Available in Popular and Premium Equipment Discount Packages only.)

(E) A bi-level **air conditioning system**¹ cools the car quickly. (Tinted glass required.)

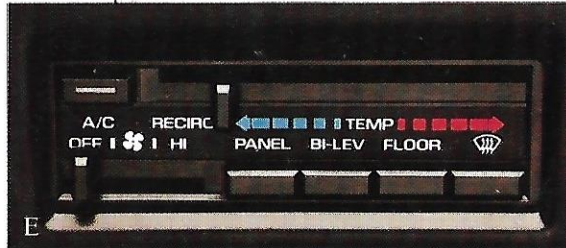
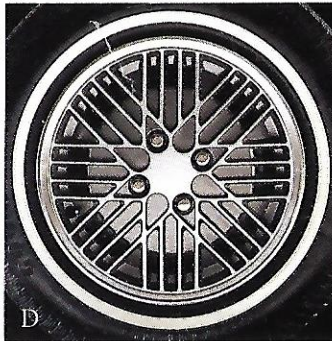
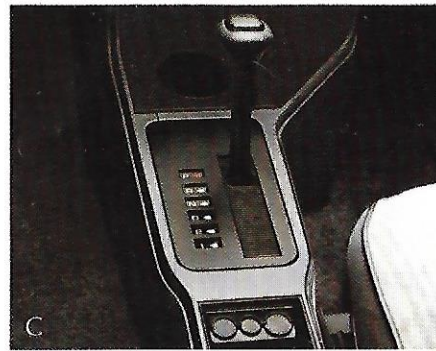
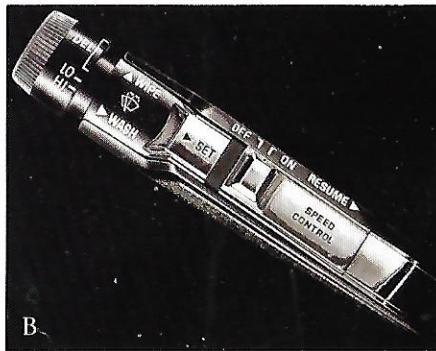
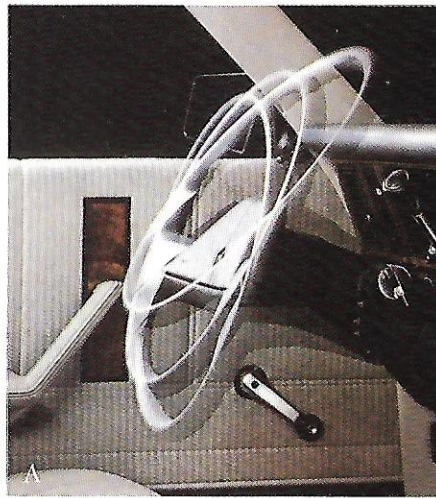
(F) For the best in sound, it's the **premium AM stereo**²/**FM stereo radio** with electronic tuning, seek-and-scan, and Dynamic Noise Reduction³; cassette tape player with automatic reverse and four-speaker sound; integral digital clock. (Popular Equipment Discount Package required.)

¹There are special cooling requirements for field-installed air conditioning. Failure to follow these requirements may invalidate warranty. See dealer for details.

²Some AM stereo broadcasting may not be compatible with this radio.

³Dynamic Noise Reduction is a trademark of National Semiconductor Corporation.

Certain models, packages, and options are subject to specific restrictions, requirements, and late availability. Consult your dealer for current ordering information.



Colors



Dark Cordovan Pearl Coat



Light Rosewood Mist Pearl Coat*



Radiant Silver Clear Coat



Ice Blue Clear Coat

Bright White Clear Coat



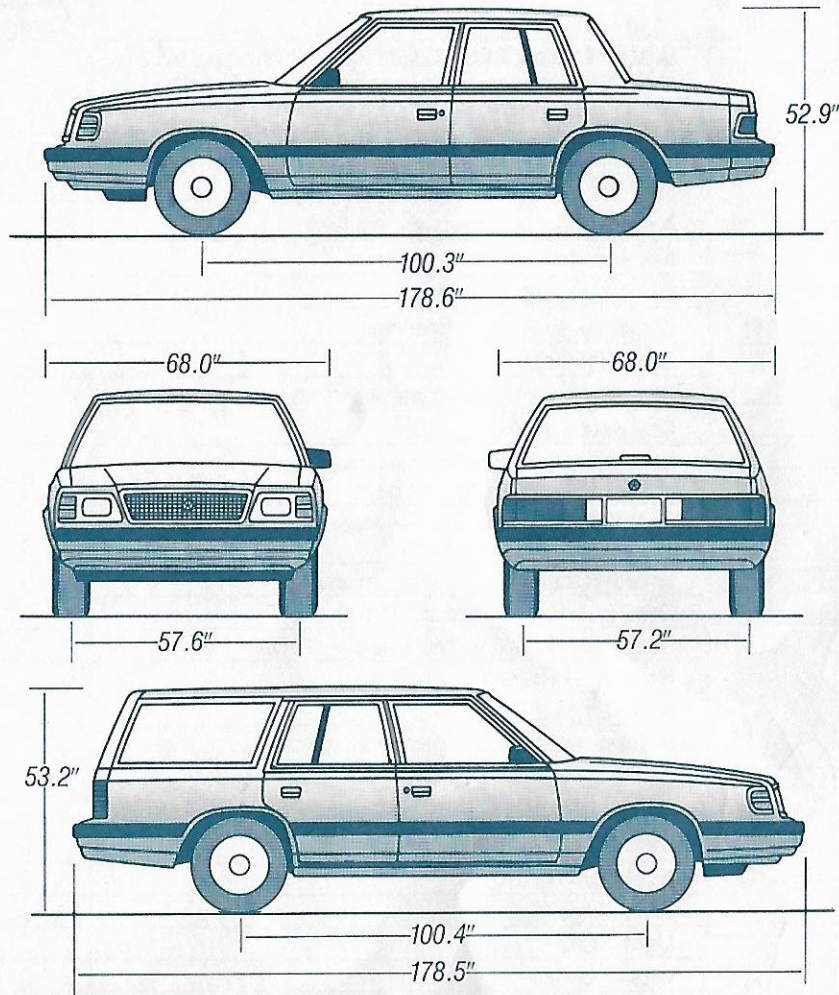
Twilight Blue Pearl Coat*



Charcoal Pearl Coat

*Available at extra cost.

NOTE: Due to printing limitations, the colors shown will vary slightly from actual hues. See your Plymouth dealer for accurate color chips.



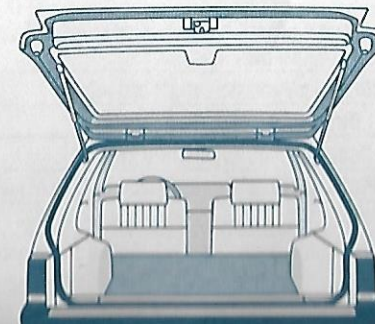
RELIANT LE DIMENSIONS, WEIGHT, AND CAPACITY

	TWO-DOOR	FOUR-DOOR	WAGON
Length	178.6"	178.6"	178.5"
Width	68.0"	68.0"	68.0"
Height	52.5"	52.9"	53.2"
Wheelbase	100.3"	100.3"	100.4"
Turning Diameter (curb-to-curb)	35.2'	35.2'	35.2'
Curb Weight (estimated)	2,382 lb	2,408 lb	2,465 lb
Trunk Capacity/Cargo Capacity	15.0 cu ft	15.0 cu ft	
With rear seatback up			34.9 cu ft
With rear seatback down			67.7 cu ft

1.9.8.8 PLYMOUTH RELIANT AMERICA

TECHNICAL INFORMATION G·U·I·D·E

This Technical Information Guide has been prepared by Plymouth for your convenience. The Guide presents a technical overview of the 1988 Plymouth Reliant LE, with information including specifications, standard features, options, dimensions, power trains, engines, tires, and other helpful facts. We hope this Guide and its accompanying catalog will help you make the most informed decision possible regarding the choice of your new car.



RELIANT LE STANDARD FEATURES

FUNCTIONAL	RELIANT LE TWO-DOOR FOUR-DOOR	RELIANT LE WAGON		RELIANT LE TWO-DOOR FOUR-DOOR	RELIANT LE WAGON
Alternator —90-ampere	S	S	Quarter Window Trim —Modular: black with bright and black moldings and louvers; vehicle name display (two-door only)	S	NA
Battery —400-ampere: maintenance-free, with integral test indicator	S	S		Wheel Covers —Deluxe 13-inch (set of four)	S
Brakes —Parking: foot-pedal	S	S	Wheel Covers —Sport 14-inch (set of four)	P	S
Brakes —Power-assisted dual system, split diagonally: vented discs front; self-adjusting drums rear	S	S	INTERIOR		
Clutch —With automatic free-play adjuster: self-adjusting linkage	S	S	Armrest —Door, with integral pull handles	S	S
Coolant Overflow Reservoir	S	S	Ash Receivers —One front; two rear	S	S
Corrosion Protection —Urethane protective coating on lower body panels; extensive use of galvanized steel	S	S	Carpeting —Cargo compartment	NA	S
Electronic Ignition, Fuel Injection, and Voltage Regulation	S	S	Carpeting —Passenger compartment	S	S
Engines and Systems —See Power Train Chart			Cigar Lighter	S	S
Exhaust System —Stainless Steel	S	S	Clock —Electronic digital: integral with all radios	S	S
Front-Wheel Drive	S	S	Coat Hooks —Rear	S	S
Fuel Tank —14-gallon: with curbside fuel filler door and fuel cap tether	S	S	Console —Mini: includes front and rear storage trays (not available with automatic transaxle)	S	S
Headlights —Halogen	S	S	Door Release Handle —Interior: easy-open, with integral rocker-type lock/unlock system	S	S
Hood —Counterbalanced	S	S	Head Restraints —Right and left: adjustable	S	S
Lights —Backup; dome with front door dome light switches; dome, with rear door dome light switches (four-door and wagon models); glove box; headlight/dome switch; map/reading, with swivel feature; side marker with reflectors	S	S	Headliner —Cloth-covered: color-keyed	S	S
Steering —Rack-and-pinion: manual	S	NA	Heater and Defroster —With bi-level ventilation	S	S
Steering —Rack-and-pinion: power-assisted (included in Popular Equipment Discount Package on two-door and four-door models)	E	S	Hood Release —Inside	S	S
Suspension —Front: dual-path Iso-Strut with coil springs, linkless antisway bar; rear: beam axle with trailing arms, coil springs and shock absorbers	S	S	Horn —Single note	S	S
Tire —Spare, compact: limited service	S	S	Instrumentation —Electromechanical: speedometer, odometer, trip odometer; brake system warning; gauges for electrical system voltage, engine coolant temperature, and fuel level; liftgate-ajar warning light (wagon only); low engine oil pressure warning light; parking brake warning	S	S
Tires —P175/80R13 steel-belted radial black sidewall (set of four)	S	NA	Insulation —Hood pad	S	S
Tires —P185/70R14 steel-belted radial black sidewall (set of four)	P	S	Light —Cargo space	NA	S
Transaxle —See Power Train Chart			Light —Trunk	S	NA
EXTERIOR			Lock —Glove box	S	S
Bumpers —Energy-absorbing: with color-keyed soft fascia; integral bumper protective rub strips	S	S	Mirror —Interior, passenger side visor vanity with map/reading light; swivel feature	S	S
Grille —With center Pentastar: bright and argent	S	S	Mirror —Interior, rearview: day/night	S	S
Headlight Bezels —Bright	S	S	Multifunction Control Lever —Mounted on steering column: includes controls for turn signals with lane-change feature, day/night flash/pass feature, headlight dimmer, windshield wipers/washers (and optional electronic speed control when ordered)	S	S
Latches —Door: shielded to minimize freezing	S	S	Radio —AM: electronic tuning; integral digital clock	S	S
License Plate Bracket —Front (standard where required)	NC	NC	Seat —Bench, with center armrest: cloth with vinyl trim (not available with manual transaxle)	NC	NC
Mirror —Exterior, left remote control: black	S	S	Seats —Bucket, low-back; with reclining seatbacks: cloth with vinyl trim (mini-console included)	S	S
Molding —Bodyside, wide: black with argent stripe and bright insert	S	S	Seat Belts —Unibelt, with tension reliever and automatic retractor for front outboard seats; lap belts for all other seats: color-keyed	S	S
Moldings —Bodyside bumper rub strip extensions front and			Steering Wheel —Deluxe: two-spoke	S	S

STANDARD SAFETY FEATURES

- Antitheft trunk lock
- Backup lights
- Brake fluid pressure loss warning light (also serves as indicator when parking brake is applied)
- Combination lap-shoulder belts for the driver and right front passenger; lap belts for all other passengers
- Dual braking system with separate brake fluid reservoirs in the master cylinder
- Double ball-joint inside rearview mirror mount
- Energy-absorbing front seatbacks
- Energy-absorbing instrument panel and sun visors
- Energy-absorbing steering column or steering wheel
- Fade-resistant front vented disc brakes
- Front seat head restraints
- Hazard-warning flasher system
- Ignition and steering column lock
- Impact-actuated fuel supply shutdown relay
- Inside and outside rearview mirrors
- Key left in ignition warning
- Liftgate-ajar warning light
- Non-override door locks (except driver's door)
- Safety glass
- Safety-Rim wheels
- Seat belt reminder system
- Seatback and station wagon interior panel safety latches
- Seatback latches on folding front seats
- Side door beams
- Side marker lights and reflectors
- Supplemental center high-mounted stoplight
- Turn signals with lane-change feature and day/night flash/pass feature

Certain models, packages, and options are subject to specific restrictions, requirements, and late availability. Consult your dealer for current ordering information.

AVAILABLE RELIANT LE OPTIONS	RELIANT WITH						WAGON CONVENIENCE PACKAGE: WAGON
	OPTIONAL EQUIPMENT: TWO-DOOR, FOUR-DOOR	OPTIONAL EQUIPMENT: WAGON	POPULAR EQUIPMENT DISCOUNT PACKAGE: TWO-DOOR, FOUR-DOOR	POPULAR EQUIPMENT DISCOUNT PACKAGE: WAGON	PREMIUM EQUIPMENT DISCOUNT PACKAGE: TWO-DOOR, FOUR-DOOR	PREMIUM EQUIPMENT DISCOUNT PACKAGE: WAGON	
Air Conditioning ¹ -Tinted glass required	●	●	●	●	●	●	
Console-Full floor (deleted when bench seat ordered)			○	○			
Defroster-Rear window ²	●	●	●	●	●	●	
Glass-Tinted (Popular Equipment Discount Package or air conditioning required)	●	●	○	○			
Mirrors-Dual outside: remote			○	○			
Radio-AM stereo ⁴ /FM stereo			○	○			
Radio-AM stereo ⁴ /FM stereo, cassette tape player, Dynamic Noise Reduction ⁵	● ³	● ³					
Seat-Bench	NC	NC	NC	NC	NC	NC	
Sound Insulation			○	○			
Steering-Rack-and-pinion: power-assisted	●	S	○	S			
Stripes-Bodyside: tape			○	○			
Suspension-Heavy-duty		●		●		●	
Tire-Spare: conventional	●	●	●	●	●	●	
Tires-P185/70R14 steel-belted radial white sidewall (set of four)		●	● ³	○			
Tires-P185/70R14 steel-belted radial black sidewall (set of four)		S	○	S			
Transaxle-Automatic			○	○			
Tonneau Cover				○			
Trunk Dress-Up			○		○		
Wheel Covers-Deluxe: 14-inch (set of four)			○	S			
Electronic Speed Control					○	○	
Luxury Steering Wheel					○	○	
Power Door Locks					○	○	
Lights-Ash receiver, cigar lighter, headlights-on warning buzzer, ignition switch with time delay, underhood					○	○	
Tilt Steering Column					○	○	
Luggage Rack-Roof-mounted							○
Liftgate-Wiper/Washer							○

- Available as an individual option.
- Included in the designated package.

¹There are special engine cooling requirements for field-installed air conditioning. Failure to follow these requirements may void the warranty.

³Popular Equipment Discount Package required.

⁴Some AM stereo broadcasting may not be compatible with this radio.

RELIANT LE POWER TRAIN CHART¹

TYPE	DISPLACEMENT	BORE & STROKE	COMPRESSION RATIO	HORSEPOWER/TORQUE		TRANSAXLE AVAILABILITY
				SAE NET @ RPM		
4-cylinder OHC, standard on all models	2.2-liter EFI (135 CID) ²	3.44" x 3.62"	9.5:1	93 hp @ 4,800	122 lb-ft @ 3,200	5-speed close-ratio manual overdrive (2.51 OTGR); standard all models 3-speed automatic (2.78 OTGR; 3.02 wagons); optional all models ⁴
4-cylinder OHC, optional all models	2.5-liter EFI (153 CID) ^{2,3}	3.44" x 4.09"	8.9:1	96 hp @ 4,400	133 lb-ft @ 2,800	3-speed automatic (3.02 OTGR); optional all models ⁴

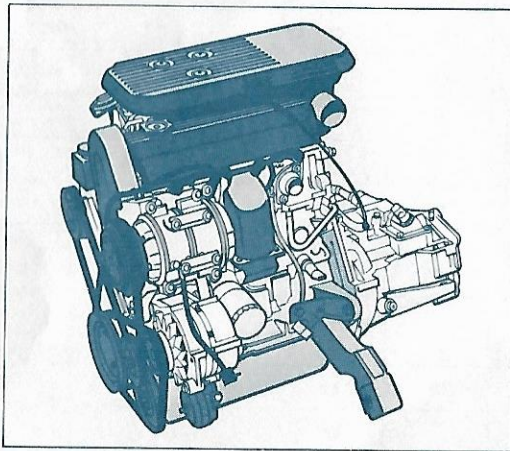
OTGR - Overall top gear ratio.

¹Emissions controls and testing required at extra cost on all vehicles registered in California; not available otherwise.

²Single-point electronic fuel injection.

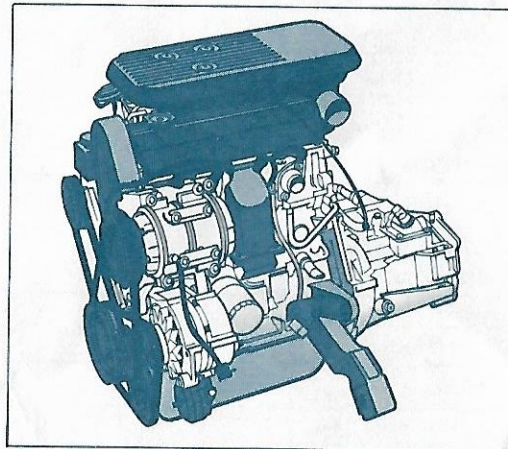
³Includes 500-amp battery. Popular Equipment Discount Package required.

⁴Available in Popular Equipment Discount Package only. Includes electronic lockup torque converter.



2.2-LITER EFI ENGINE

Reliant LE's standard 2.2-liter four-cylinder engine includes electronic fuel injection for optimal fuel metering and usage. Engineering includes an overhead cam, roller tappets and a fast-burn cylinder head for smooth, consistent operation and maximum fuel efficiency.



2.5-LITER EFI BALANCE-SHAFT ENGINE

The optional available 2.5-liter EFI balance-shaft engine (Popular Equipment Discount Package required) is also the centerpiece of the Reliant LE. The engine produces increased torque for more powerful performance, while the electronic fuel injection ensures optimum fuel use, and the balance shafts reduce engine vibration.

TIRES

SIZE	TYPE	AVAILABILITY
P175/80R13	Steel-belted radial all-season black sidewall (set of four)	Standard on two- and four-door, not available on wagon
P185/70R14	Steel-belted radial all-season black sidewall (set of four)	Standard on wagon, available on two- and four-door in package only
P185/70R14	Steel-belted radial all-season white sidewall (set of four)	Optional and available in package on wagon, requires package on two- and four-door

COLOR/TRIM COMBINATIONS

EXTERIOR

Ice Blue Clear Coat

Twilight Blue Pearl Coat*

Charcoal Pearl Coat

Dark Cordovan Pearl Coat

Light Rosewood Mist Pearl Coat*

Radiant Silver Clear Coat

Bright White Clear Coat

INTERIOR

Blue

Blue

Silver/Charcoal

Cordovan

Cordovan

Silver/Charcoal

Blue,
Cordovan

*Available at extra cost.

Clear Coat finish is standard on every 1988 passenger car built by Chrysler Motors.

Reliant LE offers you a choice of interior trim: Standard Kincaid/Classic cloth with vinyl trim low-back front bucket seats with adjustable head restraints and reclining seatbacks. Or no-charge optional Kincaid/Classic cloth with vinyl trim front bench seat with folding center armrest and adjustable head restraints. (Not available with manual transaxle.)



THE PRIDE'S INSIDE

Quantity Worth Backing



All Chrysler Motors automobiles and light trucks now benefit from the 7/70 Limited Warranty. Upon expiration of the basic 12-month or 12,000-mile limited warranty, coverage is extended on power train components to seven years or 70,000 miles,* whichever comes first. This represents one of the most comprehensive original limited warranties available on cars and trucks built and sold in the United States, and points out Chrysler Motors' pride in building and backing its products the right way.

In addition to the 7/70 Limited Warranty described above, all Chrysler Motors automobiles offer the 7/100 Anti-Corrosion Limited Warranty. Your dealer will repair or replace at no charge outer body sheet metal panels found to have developed perforation (rust-through) in normal use up to seven years or 100,000 miles, whichever comes first. See your dealer for a copy of the warranty.

*Restrictions apply. Government, law enforcement, limousine, taxi and export vehicles excluded. See your dealer for a copy of the warranty.

Optional Service Contract Coverage

Chrysler Service Contracts provide you with additional peace of mind protection for your new vehicle. Chrysler Motors offers a variety of plans to meet your needs. Plan coverage begins after your vehicle's basic warranty expires. A deductible applies. Allowances for car rentals and towing are also included.



MOPAR parts are engineered by Chrysler Motors for use in your new Plymouth Reliant. When replacement is necessary, be sure to specify MOPAR parts. Used by professional mechanics all over the world.

Consider Leasing

More consumers are considering leasing as an alternative to buying. Leasing a new Plymouth Reliant usually involves a small security deposit and a first month's lease payment. Monthly payments are usually less than financing a new car purchase. Ask your dealer for details.

All product illustrations and specifications are based upon current information at the time of publication approval. Although descriptions are believed correct, accuracy cannot be guaranteed. Chrysler Motors reserves the right to make changes from time to time, without notice or obligation, in prices, specifications, colors and materials, and to change or discontinue models. See your dealer for the latest information.

Chrysler Purchase Assistance Program For The Physically Challenged

Cash rebates up to \$500 are available for qualified adaptive driving devices on 1988 Chrysler Motors cars and trucks. For further information, contact your dealer or the PHYSICALLY CHALLENGED RESOURCE CENTER at 800-255-9877.



THE PRIDE'S INSIDE.